

INSTALLATION INSTRUCTIONS



©2021

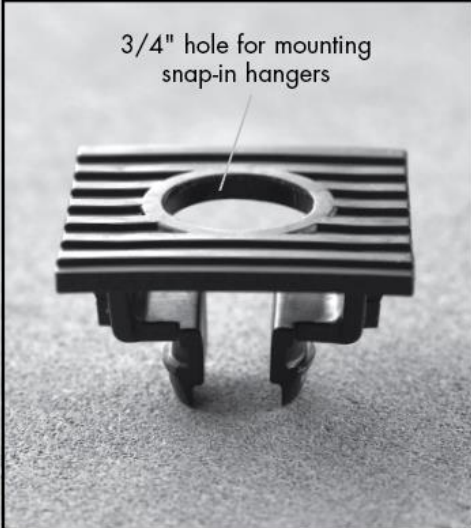
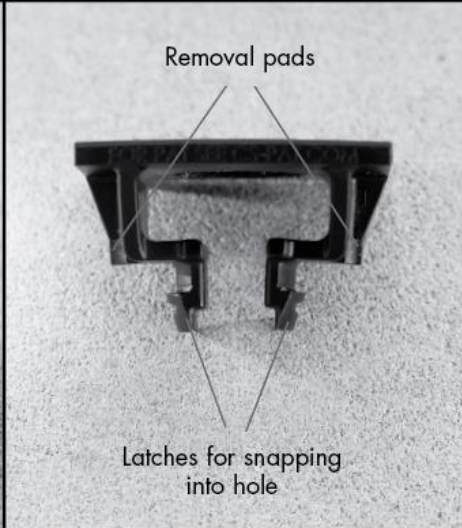
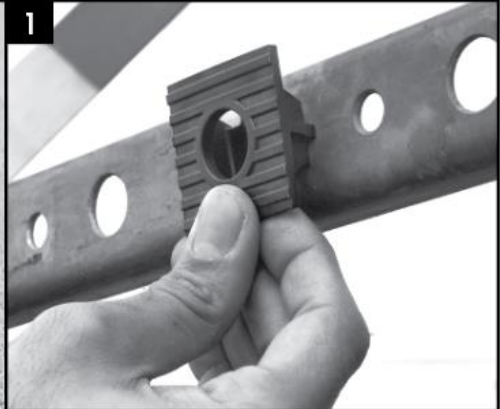

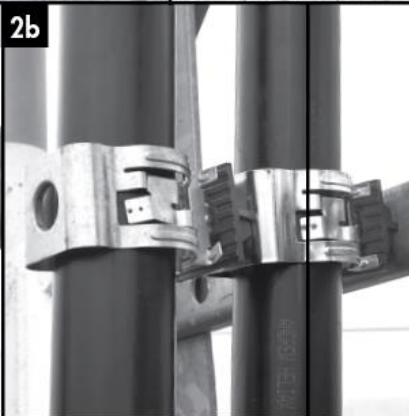
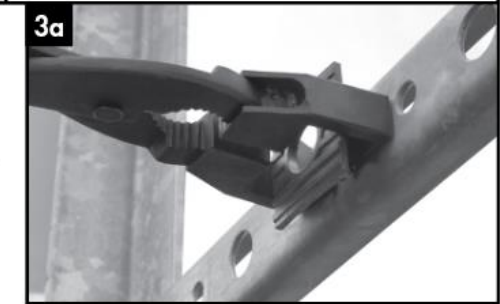

PIM ISOLATOR

1858 Rev A

PRODUCT DESCRIPTION

PIM Isolator is the most effective way to eliminate dissimilar metal contact which majorly contributes to passive intermodulation in snap-in hanger applications. Isolator can primarily be used around 15 feet of antenna (high risk PIM zone). Isolator snaps in between snap-in hangers and mounting surface to avoid dissimilar metal contact.

TYPICAL APPLICATIONS

 <p>3/4" hole for mounting snap-in hangers</p>	 <p>Removal pads</p> <p>Latches for snapping into hole</p>	 <p>1</p> <p>Position isolator over 3/4" hole in a cable ladder or tower adapter and push down until it snaps into place.</p>	
 <p>2a</p>	 <p>2b</p>	<p>Snap hanger into isolator (2a). Always alternate hanger and isolator to prevent loose metal-to-metal contact. A maximum of 2 cable hangers can be stacked together as shown (left, 2b).</p>	 <p>3a</p> <p>To remove isolator(3a), use the STRT-1 tool or pliers and press base pads together. Then pull away from the mount.</p>
 <p>3b</p>	<p>The STRT-1 tool is shown here (3b) with proper removal alignment on the base pads of the isolator.</p>	