

# INSTALLATION INSTRUCTIONS



©2021




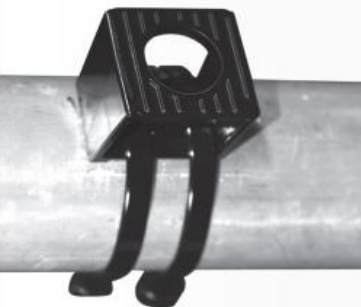
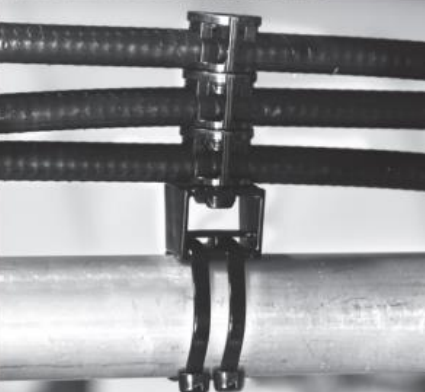
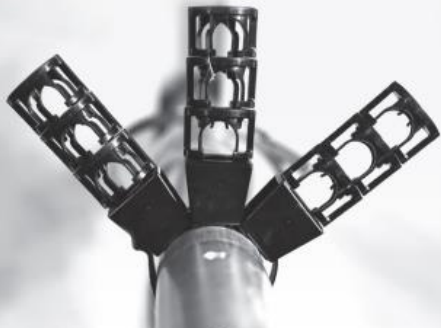
## PIM-free, Composite Snap-in Hanger Adapter

1856 IB A

### PRODUCT DESCRIPTION

Composite Snap-in Hanger Adapter is the most effective way to avoid dissimilar metal contact for snap-in hanger application and reduce PIM around 15 feet of antenna (high risk PIM zone). Hanger Adapter consists of a 3/4" hole for mounting snap-in hangers and can be mounted on round members using two acetal bands.

### TYPICAL APPLICATIONS

 <p>3/4" hole for mounting snap-in hangers</p>	 <p>Slots for nylon cable ties and banding up to 1/2" wide</p>	<p>1</p>  <p>Insert a cable tie through each slot</p>	
<p>2</p> 	<p>Tighten the snap-in hanger adapter to the round tower member with two nylon cable ties or two wraps of outdoor rated cable banding. Cut off and discard remaining tail.</p>		<p>Configuration showing snap-in adapter securely attached to tower member to support up to 3 SnapTak<sup>®</sup> hangers</p>
	<p>Maximum 3 snap-in adapters per two nylon cable ties. Maximum 3 SnapTak<sup>®</sup> hangers per snap-in adapter</p>	