

# Amphenol Antenna Solutions



**APM50-W5 MOUNTING KIT  
INSTALLATION INSTRUCTIONS**

REV. 4.0 | 2024.05

## Mounting Instructions for APM50-W5 Kit

---

### SUMMARY

Applications.....	3
Mechanical Specifications .....	3
Features .....	3
Assembly and Installation .....	3
Installation and Tilt Adjustment Steps .....	4
Maintenance .....	4

# Mounting Instructions for APM50-W5 Kit

## APPLICATIONS

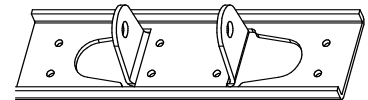
The APM50 kits are mounting hardware options to be used for Base Station antennas.

## MECHANICAL SPECIFICATIONS

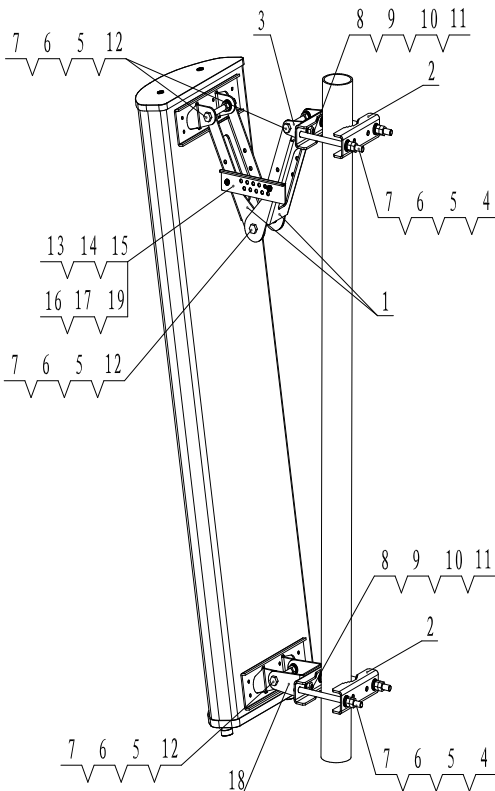
- Weight of Kit (kg): 7
- Mounting kit material: Q235 Galvanized Steel
- Packaging material: Carton Box
- Dynamometric Tools Required: Wrench and Spanner

## FEATURES

- The upper and lower brackets enable to adjust the mechanical tilt.
- All kits fully upgradable
- Pipe diameter: 50-115mm
- The adjustable tilt range depends on the different antenna models

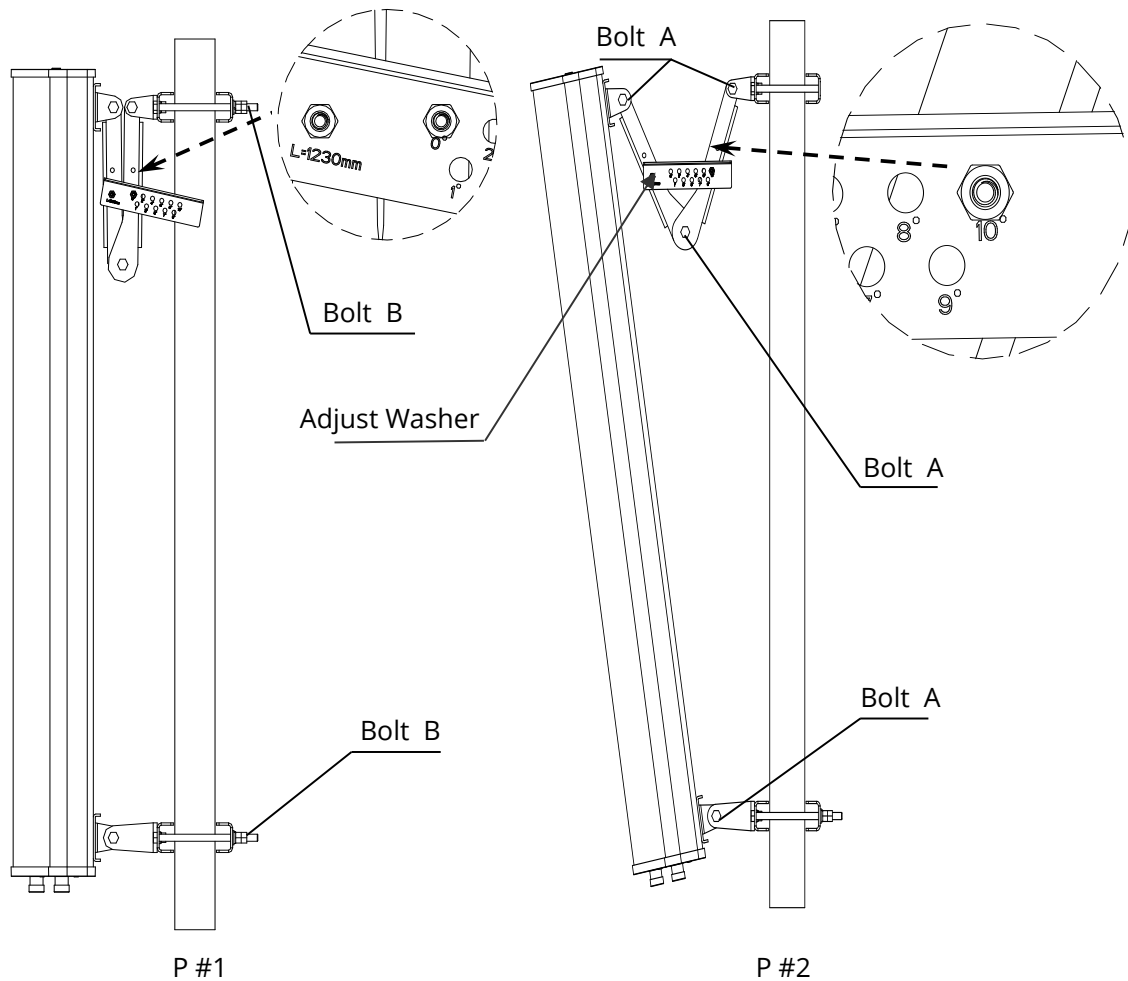


## ASSEMBLY AND INSTALLATION



Number	Names	Quantity
1	Antenna Pivot Arm	2
2	Sawtooth Mount Clamp	4
3	U Shape Washer (Upper)	1
4	M12*180 Bolt	4
5	M12 Nut	20
6	Ø12 Flat Washer	16
7	Ø12 Spring Washer	16
8	M10*25 Bolt	4
9	M10 Nut	4
10	Ø10 Flat Washer	4
11	Ø10 Spring Washer	4
12	M12*130 Bolt	4
13	M8*35 Bolt	2
14	M8 Nut	4
15	Ø8 Flat Washer	2
16	Ø8 Spring Washer	2
17	Ø8 Flat Washer Media	2
18	U Shape Washer (Lower)	1
19	Angle Adjust Washer	1

## Mounting Instructions for APM50-W5 Kit



### Installation and Tilt Adjustment Steps

1. To fix the antenna on the pole, refer to P #1.
2. To adjust the mechanical tilt as requirements, refer to P #2.
3. To tighten all the fasteners (see below).

#### TIGHTENING NUT HEX TORQUE VALUES

Diameter	Torque	Wrench Type
M8	20 Nm	13mm
M10	35 Nm	17mm
M12	60 Nm	19mm

#### TIGHTENING CONNECTOR TORQUE VALUES

Connector Type	Torque
7-16 DIN	25 Nm

### MAINTENANCE

Under normal conditions, no maintenance is necessary. However, the antenna should be visually inspected at regular intervals for damage (e.g. due to lightning strikes, and falling ice). Periodic checks should be performed to verify correct torque and bracket clearance settings. Accessories provided exclusively by RFS.

## Mounting Instructions for APM50-W5 Kit

---

---

### **NAR**

Conover & Meriden  
+1 (779) 970-1605  
Technical Support  
[support@amphenol-antennas.com](mailto:support@amphenol-antennas.com)

### **APAC**

Shanghai  
+86 (21) 3773 8888  
Technical Support  
[apac.bsa.support@amphenol-antennas.com](mailto:apac.bsa.support@amphenol-antennas.com)

### **EMEA & LATAM**

Amboise & Lannion  
Technical Support  
[techsupport@amphenol-antennas.com](mailto:techsupport@amphenol-antennas.com)