



These high-performance coaxial cable connectors are characterized by excellent gas tightness and extremely low losses. The connectors can be installed with basic hand tools. Tab flare of outer connection and use of o-ring sealing simplifies installation of the connector.

The connectors are fully tested for mechanical and electrical compliance to specifications. The connectors have excellent electrical values and provide outstanding performance for the most demanding applications. The design provides maximum sealing integrity and gas tightness.

**FEATURES / BENEFITS**

- Easy installation utilizing only basic hand tools.
- Tab flare of outer contact attachment means quick and simple installation.
- No need for sealing compound. The connector is ready for pressurization immediately after installed to the cable.
- Excellent gas tightness. Overpressure for increased voltage handling is maintained throughout the system.
- Outstanding VSWR performance improves overall system performance.
- Totally waterproof, assures safe, long term operation in the harshest of environments.
- RoHS (EU) and CRoHS (China) compliant, can be used on a global basis.



158EIA Connector for HCA158 Cable

**Technical features**

**GENERAL SPECIFICATIONS**

Transmission Line Type		Coaxial Cable
Cable Size		1-5/8
Cable Type		Air Dielectric
Model Series		HCA158-50 Series
Connector Interface		1-5/8" EIA
Connector Type		Gas stop/ Gas pass - See Note 1)
Sealing Method		O-ring seal
Gender		Female - See Note 2)

**ELECTRICAL SPECIFICATIONS**

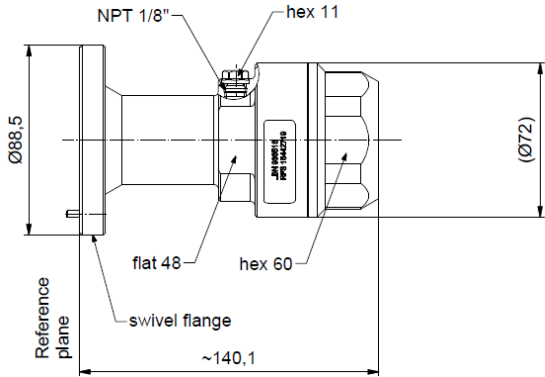
Insertion loss	dB	< 0.05dB
VSWR, Return Loss	VSWR (dB)	0 <f ≤ 860 MHz: 1.02 (40) 860 MHz <f ≤ 2.7 GHz: 1.06 (30.7)

**MECHANICAL SPECIFICATIONS**

Plating Outer/Inner		Tri Plate/Silver
Length	mm (in)	140 (5.51)
Outer Diameter	mm (in)	89 (3.5)
Outer Contact Attachment		Tab Flare

**158EIA-HCA158-019**

1-5/8" EIA Connector for 1-5/8" Coaxial Cable, Gas stop/ Gas pass,O-Ring Sealing



158EIA-HCA158-019 connector, dimensions in mm

[External Document Links](#)[Installation Instruction](#)[Notes](#)

1) The connector is converted to gas pass by drilling through the pilot hole in the insulator.

2) Connector model -019 does not include the inner connector and flange hardware.

Model name with -019KT suffix denotes a connector kit which consists of a connector, an inner connector and a set of flange hardware.

3) Model name with -019RT suffix denotes a re-use kit for the connector which includes 1x O ring for back nut, 1x gasket, 1x stub, 1x clamping ring, 1x vaseline package and 1x manual.