



Radio Frequency Systems' line of high performance coaxial cable connectors are designed specifically to provide the highest quality connector-cable interface while simplifying and speeding up the attachment of connectors to CELLFLEX® coaxial cables. RFS Technologies connectors are fully tested for mechanical and electrical compliance specifications. They are available in all popular cable sizes in a variety of mating interfaces. To join two cables with EIA connectors, two identical socket connectors are installed on either end of the cables to be joined, and a coupling element is used to make the connection of the center conductor. The coupling element must be ordered. Connectors are available in sizes matching the nominal cable size. EIA connectors provide optimal power handling for the complete transmission line system.

FEATURES / BENEFITS

- Single-piece design for Fast and Easy Installation  
Reliable and simple attachment avoids unnecessary connector adjustments and provides outstanding performance every time. Saves time and provides cost savings.
- Robust Mechanical Design  
Low and consistent intermodulation performance guarantees outstanding system sensitivity.
- Excellent Electrical Performance  
Consistent and repeatable low VSWR improves overall system performance and margin and reduces mismatch losses
- Totally Waterproof according to IP 68  
Assures safe, long term operation in the harshest of Environments.



158EIA-LCF114-062

Technical features

GENERAL SPECIFICATIONS

Transmission Line Type		Coaxial Cable with Copper Conductors (not for LITE Types with Aluminium Conductor)
Cable Size		1-1/4
Cable Type		Foam Dielectric
Model Series		for all LCF, LCFS, UCF and RCF 114-50 A-Series
Connector Interface		1-5/8" EIA
Connector Type		RAPID FIT™
Sealing Method		Sealing compound <sup>1)</sup>
Gender		None

ELECTRICAL SPECIFICATIONS

3rd Order IM Product @ 2x20 Watts	dBc	<-156
Maximum Frequency	GHz	3.3
VSWR, Return Loss	VSWR (dB)	0 &lt; f &lt; 1.0 GHz: 1.02 (40) 1.0 ≤ f &lt; 2.2 GHz: 1.04 (34.1) 2.2 ≤ f &lt; 2.7 GHz: 1.06 (30.7) 2.7 ≤ f &lt; 3.3 GHz: 1.08 (28.3)



**MECHANICAL SPECIFICATIONS**

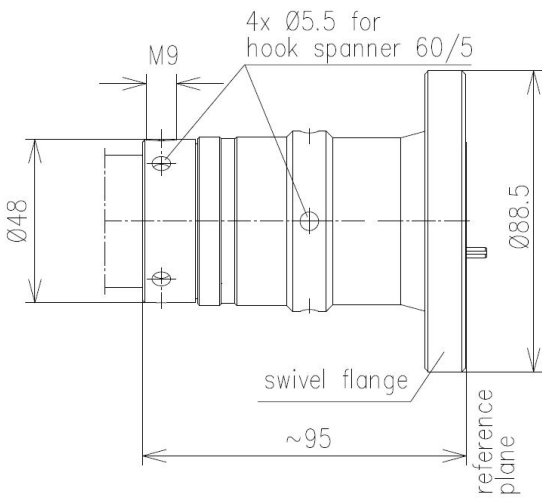
<b>Plating Outer/Inner</b>		Silver/Silver
<b>Length</b>	mm (in)	95 (3.74)
<b>Outer Diameter</b>	mm (in)	88.5 (3.5)
<b>Inner Contact Attachment</b>		Spring Finger
<b>Outer Contact Attachment</b>		Spring Finger

**ACCESSORIES**

<b>Wrench size front</b>	mm (in)	Poly Hook Spanner Wrench
<b>Wrench size rear</b>	mm (in)	Poly Hook Spanner Wrench
<b>Trimming Tool</b>		Universal Trimming Tool TRIM-Set-L114-D01

**TESTING AND ENVIRONMENTAL**

<b>Waterproof Level</b>		IP68
<b>Sealing Volume, cm3 (ounces)</b>	cm <sup>3</sup> (ounces)	20 (0.68)



158EIA-LCF114-062 (Dimensions are in mm)

[External Document Links](#)  
[Installation Instruction](#)

**Notes**

1) The sealing compound must be ordered separately.