



The coupling element facilitates the connection of center conductors when mating two EIA/IEC flanges. It is a key component in broadcasting installations, where EIA/IEC connectors are the industry standard.

RFS Technologies provides coupling elements compatible with a wide range of EIA/IEC flanges. Each coupling element kit includes all necessary hardware, such as O-rings, nuts, and bolts, to ensure a secure and reliable connection between EIA connectors.

FEATURES / BENEFITS

- Spring finger design provides reliable contact and outstanding performance
- Silver plating on the conductor surface ensures excellent conductivity and good corrosion resistance
- Comes along with all necessary hardware, eliminating the need of additional purchasing and stocking



Coupling Element 3-1/8" EIA

Technical features

GENERAL SPECIFICATIONS

Transmission Line Type		Coaxial Cable	
Cable Type		Foam Dielectric	Air Dielectric
Connector Interface		3-1/8" EIA	
Connector Type		Coupling Element Kit including coupling element, flange O ring and screw kit	
Gender		None	

ELECTRICAL SPECIFICATIONS

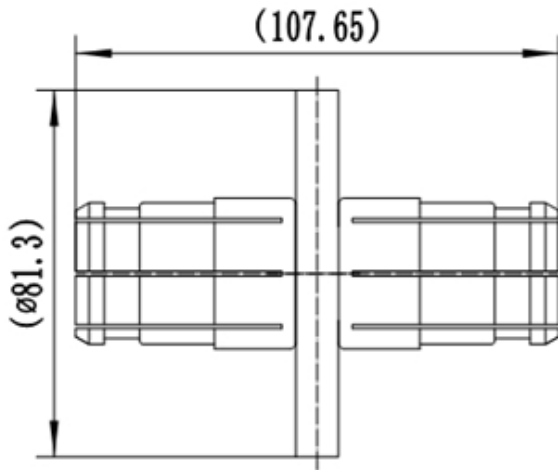
Nominal Impedance, ohms	Ohm	50
Connector Frequency Range	GHz	DC to 1.6GHz
Peak Power Rating	KW	270
Average Power Rating	KW	11.6 @ DC to 960MHz

MECHANICAL SPECIFICATIONS

Plating Outer/Inner		Silver
Length	mm (in)	107.65 (4.238)
Outer Diameter	mm (in)	81.3 (3.201)
Body Material		PTFE
Inner Contact Material		Copper Alloy
Inner Contact Attachment		Spring Finger

TESTING AND ENVIRONMENTAL

Operation Temperature	°C(°F)	-40 to 85 (-40 to 185)
------------------------------	--------	------------------------



Coupling Element Outline (dimensions in mm)

[External Document Links](#)

[Notes](#)