



RFS Technologies' high performance Compression Connectors are designed for CELLFLEX® cables. They are designed specifically to provide the highest quality connector-cable interface while simplifying and speeding up connector attachment using compressing technologies. All RFS Technologies' connectors are fully tested for mechanical and electrical compliance to industry specifications.

The 4.3-10 connector is an innovative, space-saving RF connection meeting all requirements even under the most severe environmental conditions and not relying on coupling nut torque. Sealing against outer conductor and jacket by means of the o-ring and 360° compression fit.

Multifunctional, self-lubricating HighTech polymer assembly locks on cable corrugation, avoids electrochemical potential differences and compression-fits to the jacket.

FEATURES / BENEFITS

- One-piece design together with Compression tools to minimize installation time required, improve installation security
- Ultra high PIM performance i.e. reduced interference leading to high customer satisfaction
- Watertight sealing to IP68
- Tri metal alloy plating i.e. extreme resistance against corrosion even under hardest climatic and environmental circumstances
- RoHS (EU) and CRoHS (China) compliant i.e. can be used on a global basis



Technical features

GENERAL SPECIFICATIONS

Transmission Line Type		Coaxial Cable
Cable Size		1/4
Cable Type		Foam Dielectric Superflexible
Model Series		SCF14-50 Series
Connector Interface		4.3-10
Connector Type		Compression Connector PREMIUM Straight
Sealing Method		360° Compression
Gender		Male

ELECTRICAL SPECIFICATIONS

Nominal Impedance, ohms	Ohm	50
Insertion loss	dB	≤0.05
3rd Order IM Product @ 2x20 Watts	dBc	-160
Maximum Frequency	GHz	6
VSWR, Return Loss	VSWR (dB)	DC<f≤3.0 GHz: 1.05 (32.3) 3.0<f≤6.0 GHz: 1.10 (26.4)



MECHANICAL SPECIFICATIONS

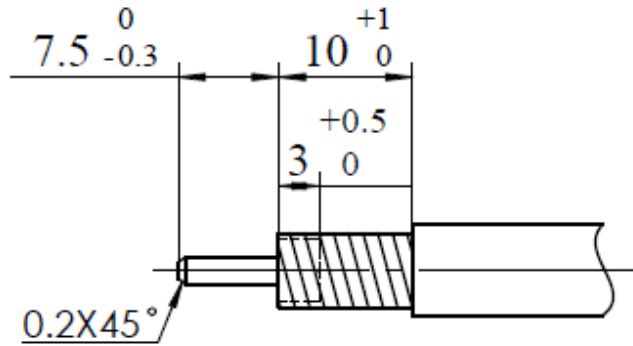
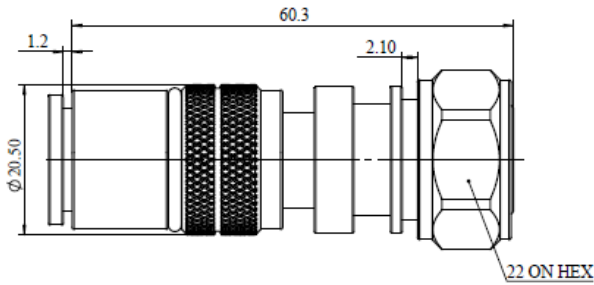
Plating Outer/Inner		Tri metal alloy / Silver
Length	mm (in)	60.3 (2.374)
Outer Diameter	mm (in)	20.5 (0.807)
Weight	kg (lb)	0.112 (0.248)
Inner Contact Attachment		Compression
Outer Contact Attachment		360° clamping

ACCESSORIES

Trimming Tool		AFBXD05-32(Trimming), AFBXD07-1(Foam Remover), AFBXD09-3(Coring Bit)
---------------	--	--

TESTING AND ENVIRONMENTAL

Waterproof Level		IP68, additional weather-proofing boot AF2040678 needs to be installed before cable jumper assembly
Operation Temperature	°C(°F)	-40 to 85 (-40 to 185)



RECOMMENDED CABLE STRIPPING DIM'S

External Document Links
[Installation Instruction](#)
[Installation Video](#)

Notes