



716-STUB-14

Quarter Wave Surge Arrestor 7-16 DIN male / female bulkhead, 690 to 2700 MHz

Surge arrestors are designed to protect wireless base stations, switching centers and transmission lines from the damaging effects of extreme high voltage surges caused by lightning strikes. The RFS Technologies lightning protection devices are designed and tested to the most demanding specifications. They are rated to protect against both direct and indirect multiple strikes in the harshest environments imaginable. Their rugged construction utilizes solid metal housing, and superior plating, which results in outstanding system protection and operating continuity.

FEATURES / BENEFITS

- Superior IM performance for reliable long-term operation
- Excellent electrical performance, low VSWR, low insertion loss
- Waterproof to IP68
- Totally maintenance free
- Compliant to RoHS (EU 2002/95/EC) and CRoHS (China SJ/T11363-2006) i.e. usable on a global basis.



716-STUB-14

External Document Links

[Installation Instruction](#)

Notes

incl. screw M8x12, spring washer 8 mm and washer 8 mm for installation of grounding cables or bus bars

Technical features

STRUCTURE

| | | |
|----------------------------|--|---|
| Product Line | | Coaxial Cable Components |
| Product Type | | Surge Arrestor |
| Surge Arrestor Type | | Quarter Wave |
| Design | | 90° Stub |
| Coaxial Cable Type | | Foam Dielectric, Ultraflexible Foam Dielectric, Radiating Cable |
| Connector Interface | | 7-16 DIN |

MECHANICAL SPECIFICATIONS

| | | |
|-----------------------------------|---------|--|
| Configuration | | 7-16 DIN male - 7-16 DIN female (bulkhead) |
| Connector A | | 7-16 DIN Male |
| Center Contact Connector A | | Brass, silver plated |
| Outer Contact Connector A | | Brass, Tri metal |
| Connector B | | 7-16 DIN Female bulkhead (protected) |
| Center Contact Connector B | | Brass, silver plated |
| Outer Contact Connector B | | Brass, Tri metal |
| Body | | Brass, Tri metal |
| Dielectric | | PTFE |
| Gasket | | Silicone |
| Sealing class | | IP68 |
| Mounting / Grounding | | Bulkhead; Thread for grounding M8 |
| Drill Hole Size | mm (in) | M8 |



716-STUB-14

Quarter Wave Surge Arrestor 7-16 DIN male / female bulkhead, 690 to 2700 MHz

ELECTRICAL SPECIFICATIONS

| | | |
|-----------------------------------|-----------|--|
| Frequency Range - MHz | | 690 - 2700 |
| VSWR, Return Loss | VSWR (dB) | 690-2700 MHz: 1.19 (21) 800-1000 MHz: 1.13 (24) 1700-2200 MHz: 1.13 (24) |
| Insertion Loss, dB (Max) | dB | 0.10 |
| 3rd Order IM Product @ 2x20 Watts | dBc | < -160 |
| Surge current handling capability | | mult. 25kA, Pulse 8/20 μ s |
| Residual pulse | | 5mj typically (test pulse 20 kA Pulse 8/20 μ s) |
| Residual Voltage | | 100V (test pulse 20 kA Pulse 8/20 μ s) |
| Average Power | | 1.8kW @ 1 GHz (at 20°C, sea level, VSWR 1.0) |
| Peak Power | kW | 40kW (at 20°C, sea level, VSWR 1.0) |

TEMPERATURE SPECIFICATIONS

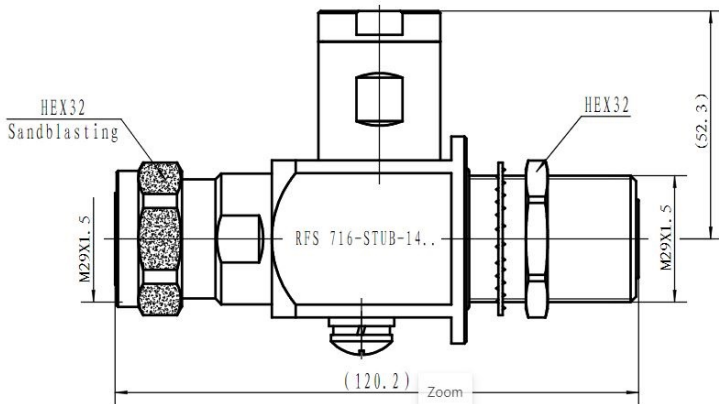
| | | |
|-----------------------|---------|------------------------|
| Operation Temperature | °C (°F) | -45 to 85 (-49 to 185) |
|-----------------------|---------|------------------------|

ACCESSORIES

| | | |
|---------------------------------|--|-------------------------------|
| Spare Part / Useful Accessories | | GW-16/20 : Grounding Wire Kit |
|---------------------------------|--|-------------------------------|

PACKAGING INFORMATION

| | | |
|------------------|--|---|
| Package Quantity | | 1 |
|------------------|--|---|



Outline drawing, dimension in millimeters