



RFS Technologies' high performance Compression Connectors are designed for CELLFLEX® cables. They are designed specifically to provide the highest quality connector-cable interface while simplifying and speeding up connector attachment using compressing technologies. All RFS Technologies' connectors are fully tested for mechanical and electrical compliance to industry specifications.

Sealing against outer conductor and jacket by means of the o-ring and 360° compression fit. Multifunctional, self-lubricating HighTech polymer assembly locks on cable corrugation, avoids electrochemical potential differences and compression-fits to the jacket.

FEATURES / BENEFITS

- One-piece design together with Compression tools to minimize installation time required, improve installation security
- Ultra high PIM performance i.e. reduced interference leading to high customer satisfaction
- Watertight sealing to IP68
- Tri metal alloy plating i.e. extreme resistance against corrosion even under hardest climatic and environmental circumstances
- RoHS (EU) and CRoHS (China) compliant i.e. can be used on a global basis



Technical features

GENERAL SPECIFICATIONS

Transmission Line Type		Coaxial Cable LCF78
Cable Size		7/8
Cable Type		Foam Dielectric, Low Loss
Model Series		LCF78-50 Series
Connector Interface		7-16
Connector Type		Compression Connector PREMIUM Straight
Sealing Method		360° Compression
Gender		Female

ELECTRICAL SPECIFICATIONS

Nominal Impedance, ohms	Ohm	50
Insertion loss	dB	≤0.05
3rd Order IM Product @ 2x20 Watts	dBc	-160
Maximum Frequency	GHz	6
VSWR, Return Loss	VSWR (dB)	DC<f≤3.0 GHz: 1.05 (32.3) 3.0<f≤6.0 GHz: 1.10 (26.4)

MECHANICAL SPECIFICATIONS

Plating Outer/Inner		Tri metal alloy / Silver
Length	mm (in)	76.8 (3.02)
Outer Diameter	mm (in)	38.4 (1.51)
Inner Contact Attachment		Compression
Outer Contact Attachment		360° clamping

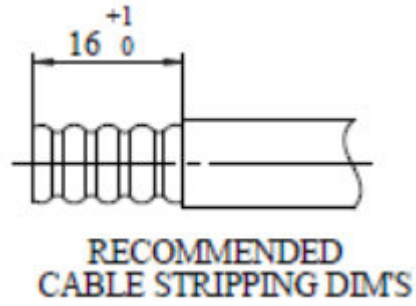
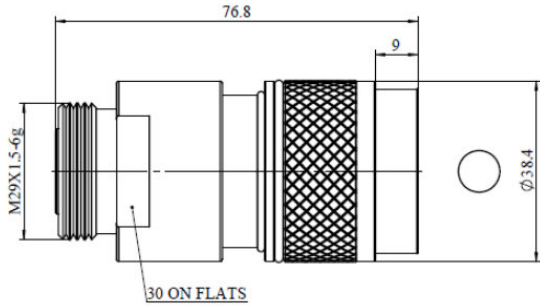
ACCESSORIES

Trimming Tool		AFBXD05-41(Trimming)
---------------	--	----------------------



TESTING AND ENVIRONMENTAL

Waterproof Level		IP68
Operation Temperature	°C(°F)	-40 to 85 (-40 to 185)



External Document Links
Installation Instruction

Notes