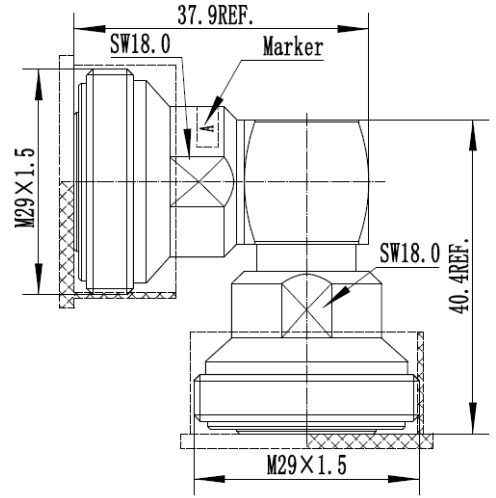




Coaxial Adapter 7-16 Female - 7-16 Female with right angle  
 FEATURES / BENEFITS



External Document Links

Notes

## Technical features

### STRUCTURE

|              |  |                          |
|--------------|--|--------------------------|
| Product Line |  | Coaxial Cable Components |
| Product Type |  | Coaxial Adapter          |

### MECHANICAL SPECIFICATIONS

|                            |  |                                |
|----------------------------|--|--------------------------------|
| Connector A                |  | 7-16 Female                    |
| Center Contact Connector A |  | Phosphor Bronze, silver plated |
| Outer Contact Connector A  |  | Brass, Tri metal alloy plated  |
| Connector B                |  | 7-16 Female                    |
| Center Contact Connector B |  | Phosphor Bronze, silver plated |
| Outer Contact Connector B  |  | Brass, Tri metal alloy plated  |
| Dielectric                 |  | PTFE                           |
| Sealing class              |  | IP68, connected                |

### ELECTRICAL SPECIFICATIONS

|                                   |           |                               |
|-----------------------------------|-----------|-------------------------------|
| Frequency Range - MHz             |           | DC - 6000                     |
| VSWR, Return Loss                 | VSWR (dB) | DC TO 2 GHz VSWR 1.05 (32.25) |
|                                   |           | 2 TO 3 GHz VSWR 1.08 (28.3)   |
|                                   |           | 3 TO 6 GHz VSWR 1.12 (24.94)  |
| Insertion Loss, dB (Max)          | dB        | 0.05                          |
| 3rd Order IM Product @ 2x20 Watts | dBc       | < -163                        |

### TEMPERATURE SPECIFICATIONS

|                       |         |                        |
|-----------------------|---------|------------------------|
| Operation Temperature | °C (°F) | -40 to 85 (-40 to 185) |
|-----------------------|---------|------------------------|

### PACKAGING INFORMATION

|                  |  |   |
|------------------|--|---|
| Package Quantity |  | 1 |
|------------------|--|---|



PRODUCT DATASHEET

**716F-R-716F**

Coaxial Adapter 7-16 Female - 7-16 Female with right angle

