



These high performance coaxial cable connectors are designed specifically to provide the highest quality connector-cable interface while simplifying and speeding up the attachment of connectors to the coaxial cables. The connectors are fully tested for mechanical and electrical compliance specifications. They are available in all popular cable sizes in a variety of mating interfaces. The 7-16 connector is the most rugged RF connection meeting all requirements even under severe environmental conditions.

**FEATURES / BENEFITS**

- Excellent gas tightness, Overpressure for increased voltage handling is maintained throughout the system
- Robust Mechanical Design, Superior and consistent performance guarantees outstanding system characteristics.
- Extremely low reflection factor, Outstanding low reflection factor improves overall system performance and margin and reduces mismatch losses
- Totally Waterproof according to IP 68, Assures safe, long term operation in the harshest of environments. System tightness doesn't have to rely on overpressure from dehydration equipment.



Connector 7-16 plug CAF

**Technical features**

**GENERAL SPECIFICATIONS**

<b>Transmission Line Type</b>		Coaxial Cable
<b>Cable Size</b>		1-5/8"
<b>Cable Type</b>		Air Dielectric
<b>Model Series</b>		HCA158-50 Series
<b>Connector Interface</b>		7-16 DIN
<b>Connector Type</b>		RAPID FIT™
<b>Sealing Method</b>		Sealing compound <sup>1)</sup>
<b>Gender</b>		Male

**MECHANICAL SPECIFICATIONS**

<b>Plating Outer/Inner</b>		Silver/Silver
<b>Length</b>	mm (in)	146 (5.75)
<b>Outer Diameter</b>	mm (in)	74 (2.91)
<b>Weight</b>	kg (lb)	1.5 (3.3)
<b>Inner Contact Attachment</b>		Spring Finger
<b>Outer Contact Attachment</b>		Threaded

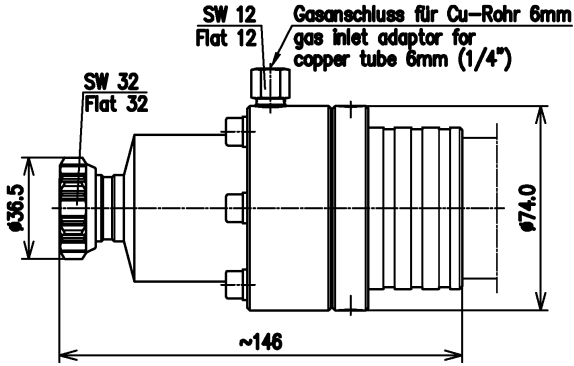
**ACCESSORIES**

<b>Wrench size front</b>	mm (in)	36 (1-7/16)
<b>Wrench size rear</b>	mm (in)	32 (1-1/4)



# 716M-HCA158-001

7-16 DIN Male Connector for 1-5/8" Coaxial Cable, Sealing compound



### External Document Links

[Installation Instruction](#)

### Notes

1) The sealing compound must be ordered separately.