



RFS Technologies' high performance Compression Connectors are designed for CELLFLEX® cables. They are designed specifically to provide the highest quality connector-cable interface while simplifying and speeding up connector attachment using compressing technologies. All RFS Technologies' connectors are fully tested for mechanical and electrical compliance to industry specifications.

Sealing against outer conductor and jacket by means of the o-ring and 360° compression fit. Multifunctional, self-lubricating HighTech polymer assembly locks on cable corrugation, avoids electrochemical potential differences and compression-fits to the jacket.

FEATURES / BENEFITS

- One-piece design together with Compression tools to minimize installation time required, improve installation security
- Ultra high PIM performance i.e. reduced interference leading to high customer satisfaction
- Watertight sealing to IP68
- Tri metal alloy plating i.e. extreme resistance against corrosion even under hardest climatic and environmental circumstances
- RoHS (EU) and CRoHS (China) compliant i.e. can be used on a global basis



Technical features

GENERAL SPECIFICATIONS

Transmission Line Type		Coaxial Cable
Cable Size		1/4
Cable Type		Foam Dielectric Superflexible
Model Series		SCF14-50 Series
Connector Interface		7-16
Connector Type		Compression Connector PREMIUM Straight
Sealing Method		360° Compression
Gender		Male

ELECTRICAL SPECIFICATIONS

Nominal Impedance, ohms	Ohm	50
Insertion loss	dB	≤0.05
3rd Order IM Product @ 2x20 Watts	dBc	-160
Maximum Frequency	GHz	6
VSWR, Return Loss	VSWR (dB)	DC<f≤3.0 GHz: 1.05 (32.3) 3.0<f≤6.0 GHz: 1.10 (26.4)

MECHANICAL SPECIFICATIONS

Plating Outer/Inner		Tri metal alloy / Silver
Length	mm (in)	50.9 (2)
Outer Diameter	mm (in)	20.5 (0.807)
Weight	kg (lb)	0.115 (0.254)
Inner Contact Attachment		Compression
Outer Contact Attachment		360° clamping



716M-SCF14-CP01

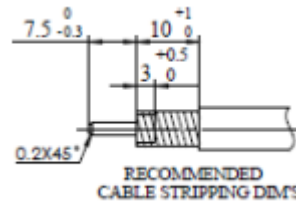
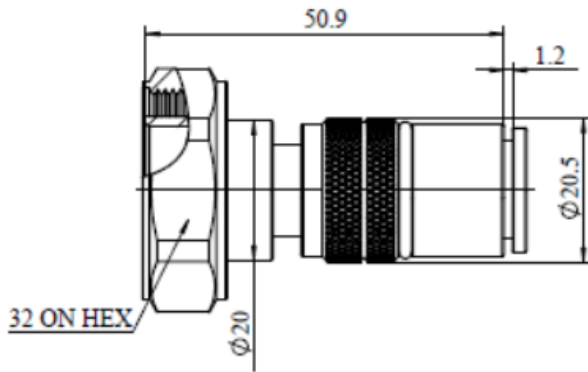
7-16 Male Compression Connector for 1/4" Coaxial Superflexible Cable, Straight

ACCESSORIES

Trimming Tool		AFBXD05-32(Trimming), AFBXD07-1(Foam Remover), AFBXD09-3(Coring Bit)
----------------------	--	--

TESTING AND ENVIRONMENTAL

Waterproof Level		IP68, additional weather-proofing boot AF2040530 needs to be installed before cable jumper assembly
Operation Temperature	°C(°F)	-40 to 85 (-40 to 185)



External Document Links
[Installation Instruction](#)
[Installation Video](#)

Notes