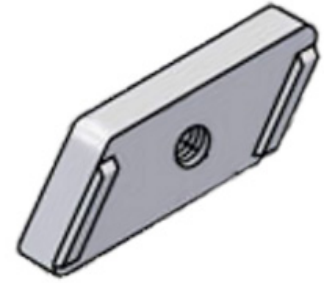




Clamping plate with M8 thread made of aluminium for fixation onto Anchor Bar A7 profile

**FEATURES / BENEFITS**

Lateral lugs for easy handling during installation



**Technical features**

**GENERAL SPECIFICATIONS**

<b>Product Line</b>		Coaxial Cable Accessories Radiating Cable Accessories
<b>Product Type</b>		Hanger
<b>Hanger Type</b>		Clamping plate for anchor bar
<b>Installation Hardware Type</b>		Anchor bar with slotwidth 18 to 22 mm (0.7 to 0.9 inch)
<b>Cable Type</b>		Coaxial Foam Dielectric Radiating Cable

**MECHANICAL SPECIFICATIONS**

<b>Number of Cable / Waveguide Runs</b>		1
<b>Material</b>		Aluminium

**TEMPERATURE SPECIFICATIONS**

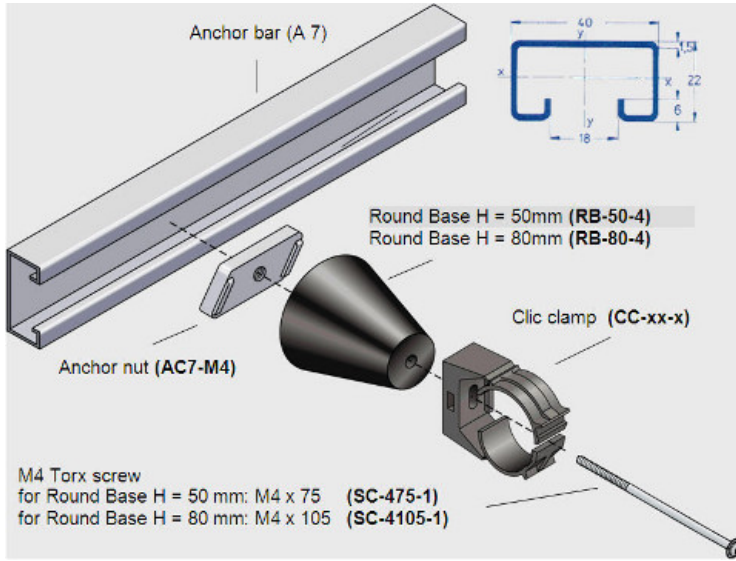
<b>Installation Temperature</b>	°C (°F)	-50 to 85 (-58 to 185 )
<b>Operation Temperature</b>	°C (°F)	-50 to 85 (-58 to 185 )
<b>Storage Temperature</b>	°C (°F)	-50 to 85 (-58 to 185 )

**PACKAGING INFORMATION**

<b>Package Quantity</b>		1
<b>Weight per piece</b>	kg (lb)	0.012 (0.026)

## AC7-M8

### AC Mounting hardware for Anchor Bar A7 profile



Installation example

#### External Document Links

#### Notes