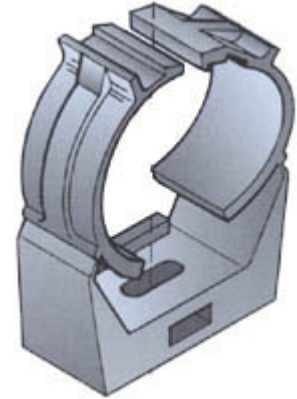




Clic Clamp, 1/2" ALF,RCF,RLK polyamide black, halogen free  
fire class UL94HB

**FEATURES / BENEFITS**

Safe and efficient installation of RADIAFLEX® cable with clic-clamps. Simple mounting by using wall plugs and screws. Simply push in by hand, clamp will grip and lock by applying slight pressure.



clic\_clamp\_T1

**Technical features**

**GENERAL SPECIFICATIONS**

<b>Product Line</b>		Radiating Cable Accessories
<b>Product Type</b>		Hanger
<b>Hanger Type</b>		Clic clamp
<b>Transmission Line Type</b>		ALFU RLK* RCF12-50*A HCA12-50 RHCA12-50
<b>Cable Type</b>		Air Dielectric Radiating Cable
<b>Color</b>		Black

**MECHANICAL SPECIFICATIONS**

<b>Cable Size</b>		1/2
<b>Number of Cable / Waveguide Runs</b>		1
<b>Material</b>		Polyamide

**TESTING AND ENVIRONMENTAL**

<b>Fire Class</b>		UL94 HB
-------------------	--	---------

**TEMPERATURE SPECIFICATIONS**

<b>Installation Temperature</b>	°C (°F)	-20 to 80 (-4 to 176 )
<b>Operation Temperature</b>	°C (°F)	-50 to 85 (-58 to 185 )
<b>Storage Temperature</b>	°C (°F)	-50 to 85 (-58 to 185 )

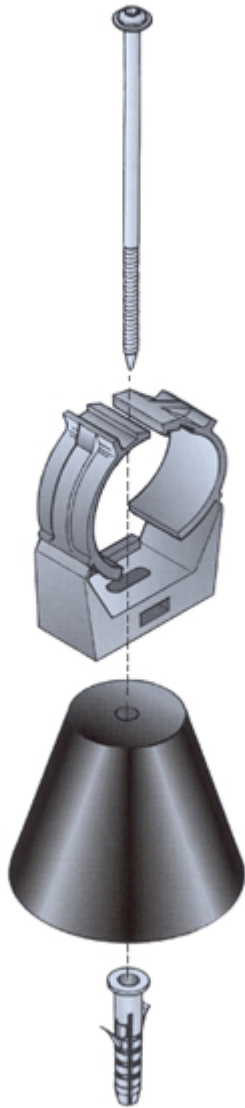
**PACKAGING INFORMATION**

<b>Package Quantity</b>		500
-------------------------	--	-----



**CC-12-2**

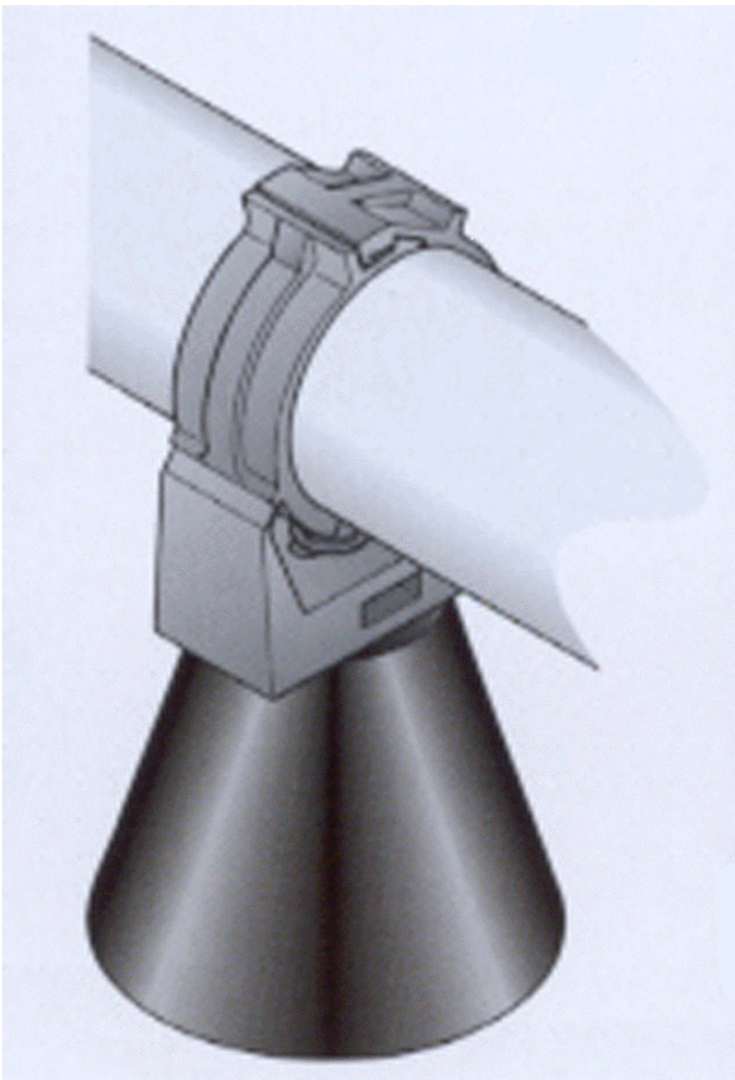
Clic clamp for RADIAFLEX<sup>®</sup> 1/2" (for ALF, RCF RLK)





**CC-12-2**

Clic clamp for RADIAFLEX<sup>®</sup> 1/2" (for ALF, RCF RLK)



**External Document Links**

**Notes**

\* valid for all cable versions