



RFS Technologies CDS**E series Directional Coupler has been designed for outdoor applications covering 694 to 3800MHz. Units couple off a defined fraction of signal from 6 to 30 dB with minimal reflections or loss. The frequency range allows use with antennas and leaky cable systems and in wireless base stations. With minimal solder joints, the dissipative loss has been minimized and reliability enhanced.

FEATURES / BENEFITS

- 10 dB coupling value
- Low insertion loss
- High power handling
- Small size, Low weight
- 716-female connectors
- -155 dBc PIM



Technical features

STRUCTURE

Product Type		Directional Coupler
Techn. Application		Indoor
Number of Input Ports		1
Number of Output Ports		2

ELECTRICAL SPECIFICATIONS

Frequency Range	MHz	694 - 3800
Connector Type		716 female
Max. VSWR / Return Loss	VSWR/dB	1.25/19.1 (1.25)
Insertion Loss max.	dB	0.7
Coupling Value	dB	10
Coupling Flatness max.	dB	±1.0
Intermodulation (IM3)		-155 dBc with 2x43 dBm tones
Directivity min.	dB	20
Impedance	Ohm	50
Total Input Power	W	200

TEMPERATURE SPECIFICATIONS

Temperature Range	°C (°F)	-25 to +65 (-13 to +149)
-------------------	---------	--------------------------

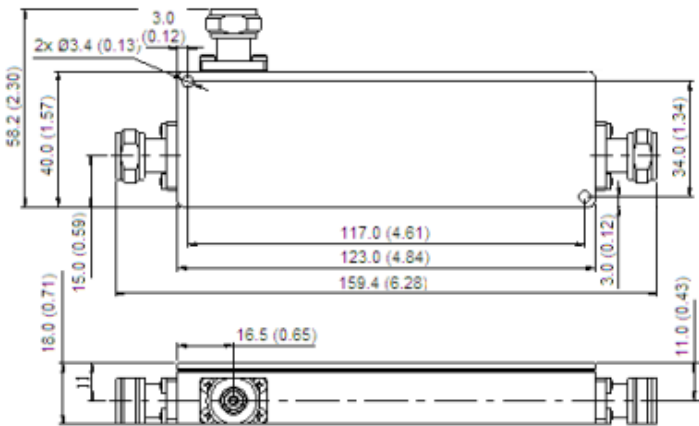


MECHANICAL SPECIFICATIONS

Height	mm (in)	18 (0.71)
Width	mm (in)	58.2 (2.3)
Length	mm (in)	159.4 (6.28)

TESTING AND ENVIRONMENTAL

Environmental Class		IP65
---------------------	--	------



Dimensions mm(inch)

External Document Links

Notes