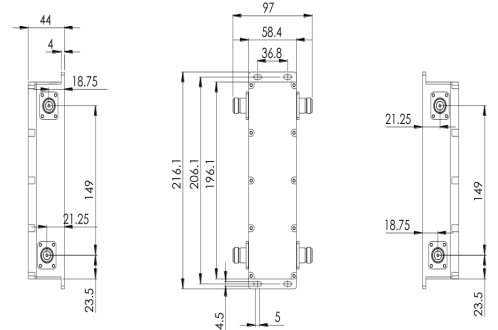




The CDS3\*-380/2700 hybrid couplers are four-port directional couplers which equally combine two wireless signals and transfer the combined signal to two output ports. The products are designed for wireless services and applications in the frequency band from 380-2700MHz.

**FEATURES / BENEFITS**

- Supports all TERA bands in the frequency range 380 - 2700 MHz
- 200 Watt Power Rating
- High Reliability
- 7-16 DIN female connectors



CDS3DE-380/2700

**Technical features**

**GENERAL SPECIFICATIONS**

Product Type		Directional Hybrid Coupler
Techn. Application		Indoor
Number of Input Ports		2
Number of Output Ports		2
Connector Type		7-16 female

**ELECTRICAL SPECIFICATIONS**

Frequency Range	MHz	380 - 2700
Impedance	Ohm	50
VSWR / Return Loss	VSWR/dB	1.25/19.1 @ - GHz
Intermodulation (IM3)		-150 dBc with 2x43 dBm tones
Isolation min	dB	23 @ -
Coupling Value	dB	3.1 ±0.8 @ - MHz
Total Input Power	W	200

**TEMPERATURE SPECIFICATIONS**

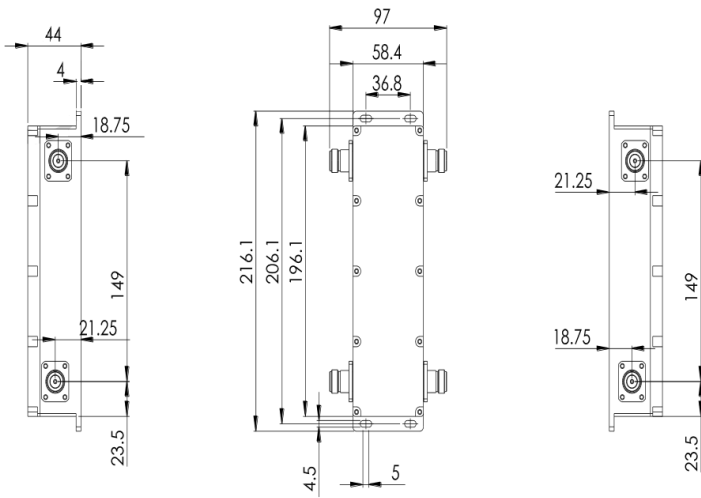
Temperature Range	°C (°F)	-25 to 65 (-13 to 149)
-------------------	---------	------------------------

**MECHANICAL SPECIFICATIONS**

Height	mm (in)	44 (1.73)
Width	mm (in)	102 (4.02)
Length	mm (in)	216.05 (8.51)

**TESTING AND ENVIRONMENTAL**

Environmental Class		IP65
---------------------	--	------



Dimensions in mm

[External Document Links](#)

Notes