



The CDSDE4x4-694/3800 hybrid coupler which equally combines four wireless signals and transfers the combined signal to four output ports. The product is designed for wireless services and applications in the frequency band from 694-3800MHz including 2G/3G/4G. The broad frequency range and outstanding PIM rating is ideally suited for multi-band distributed antenna systems or in combination with RADIAFLEX® radiating cables.

FEATURES / BENEFITS

- 7/16-10-female interfaces
- PIM optimized design (160dBc @2x43dBm)
- Ideal for all kind of DAS applications
- Low insertion loss
- High power handling

Technical features

GENERAL SPECIFICATIONS

Product Type		Directional Hybrid Coupler
Techn. Application		Indoor
Number of Input Ports		4
Number of Output Ports		4
Connector Type		7/16 female

ELECTRICAL SPECIFICATIONS

Frequency Range	MHz	694 - 3800
Impedance	Ohm	50
VSWR / Return Loss	VSWR/dB	1.30/17.7 @ - GHz
Intermodulation (IM3)		-160 dBc (2x43dBm)
Isolation min	dB	25 @694 - 2700 22 @2700 - 3800
Coupling Value	dB	6 ±1.2 @694 - 3800 MHz
Total Input Power	W	200

TEMPERATURE SPECIFICATIONS

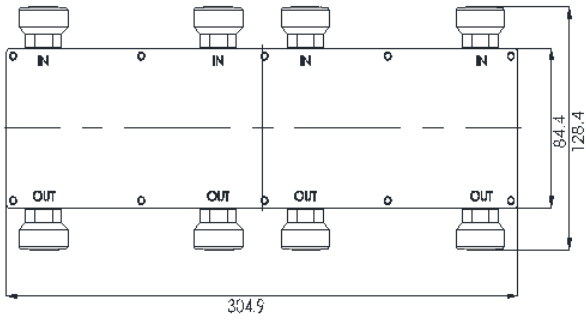
Temperature Range	°C (°F)	-25 to 65 (-13 to 149)
-------------------	---------	------------------------

MECHANICAL SPECIFICATIONS

Height	mm (in)	41 (1.61)
Width	mm (in)	128.4 (5.06)
Length	mm (in)	304.9 (12)

TESTING AND ENVIRONMENTAL

Environmental Class		IP65
---------------------	--	------



[External Document Links](#)

[Notes](#)