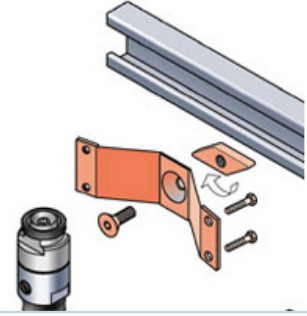




Connector grounding kit for LCF158 connectors

FEATURES / BENEFITS

These connector grounding kit provide direct connector grounding for instance an anchor bar. The assembly or disassembly is quick and easy while providing mechanical fixture and reliable ground path at the same time. All components are made of Stainless steel.



Technical features

STRUCTURE

Product Line			Coaxial Cable Accessories
Type of Grounding Kit			Connector grounding kit
Transmission Line Type			LCF158
Cable Type			Coaxial Foam Dielectric
Cable Size			1-5/8"
Number of Cable / Waveguide Runs			1
Material			Stainless Steel

TEMPERATURE SPECIFICATIONS

Operation Temperature	°C (°F)		-50 to 85 (-58 to 185)
Storage Temperature	°C (°F)		-50 to 85 (-58 to 185)

PACKAGING INFORMATION

Package Quantity			1
-------------------------	--	--	---

External Document Links

Notes