



FDX55020D4-2C

ShareLite™ 80 - 2690MHz / 3300 - 5925 MHz Diplexer, with DC Pass 80-2690, Dual Configuration, 4.3-10 Connectors

The ShareLite FDX5 family of diplexers enable feeder sharing between systems in the 80 - 2690 MHz spectrum for Path 1 and 3300 - 5925 MHz (CBRS/LAA) spectrum for Path 2. The innovative design delivers very low insertion loss in an extremely small and lightweight envelope. Selective filters guarantee 50 dB of isolation between ports for an interference free deployment in any environment. An IP67 housing design protects against the most severe outdoor installation with a vented enclosure to eliminate condensation and pressure instability. The result is a long lasting solution with exceptional reliability.

FEATURES / BENEFITS

- Exceptionally compact design, very small footprint
- Dual unit (4:2)
- DC pass 80-2690 (Path 1)
- 4.3-10 connectors
- Extremely Low Insertion Loss
- High power handling capability
- High level of Rejection between bands - Protection against interference
- Superb environmental protection (IP-67)
- Mounting hardware for Wall and Pole mount provided



Technical features

GENERAL SPECIFICATIONS

Product Type		Diplexer/Cross Band Combiner
Application		Tetra, LTE700, LTE800, GSM900, 1500 L Band (LTE Band 32), GSM1800, LTE1800, PCS, UMTS, AWS, LTE2100, LTE2300, WCS, BRS, LTE2600, CBRS, LAA, 3.5GHz, Band 42, Band 43
Configuration		Dual (4:2), Outdoor/indoor

ELECTRICAL SPECIFICATIONS

Branch		1, 2
Frequency Range	MHz	80-2690 3300-5925
Impedance	Ohms	50
Frequency Band		Tetra, LTE700, LTE800, GSM900, 1500 L Band (LTE Band 32), GSM1800, LTE1800, PCS, UMTS, AWS, LTE2100, LTE2300, WCS, BRS, LTE2600, CBRS, LAA, 3.5GHz, Band 42, Band 43
DC Pass		DC pass 80-2690 (Path 1)
Insertion Loss	dB	0.1 typ, 0.3 max, 0.2 typ, 0.5 max
Return Loss	dB	19 min / 22 typ., 16 min / 22 typ
Power Handling Continuous, Max.	W	160
Input Power, PEP	W	3000
Rejection between bands	dB	50
3rd Order PIM	dBm (dBc)	-118 (-158) @ 2 x 43



FDFX55020D4-2C

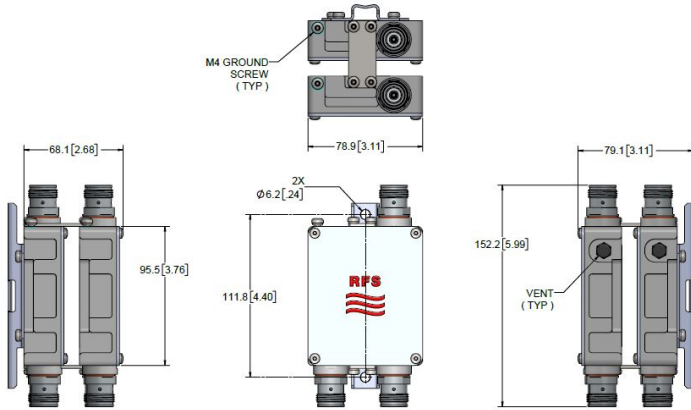
ShareLite™ 80 - 2690MHz / 3300 - 5925 MHz Diplexer, with DC Pass 80-2690, Dual Configuration, 4.3-10 Connectors

TESTING AND ENVIRONMENTAL

Temperature Range	°C (°F)	-40 to 65 (-40 to 149)
Ingress Protection		IP 67
Environmental		ETSI 300-019-2-4 Class 4.1E
Lightning Protection		EN/IEC61000-4-5 Level 4

MECHANICAL SPECIFICATIONS

RF Connectors		4.3-10 Female; 4 ports in, 2 ports out
Weight	kg (lb)	1.2 (2.65)
Shipping Weight	kg (lb)	2.26 (4.98)
Dimensions, H x W x D	mm (in)	152 x 79 x 79 (6.0 x 3.1 x 3.1)
Shipping Dimensions, H x W x D	mm (in)	251 x 172 x 227 (9.9 x 6.8 x 8.9)
Mounting		Wall Mounting: With 2 screws (maximum 6mm diameter) Pole Mounting: With included clamp set 38-127mm (1.50-5.0")



[External Document Links](#)

Notes