



HYBRIFLEX fiber only cable assembly, 12 single mode fibers, pre-terminated with an MTP12 male connector on one end and 12 SC/APC connectors on the other end of the LSZH, indoor cable. Optimized for Radio over Fiber (RoF) applications, for use within the RFS Technologies "Plug and Play" RoF solution.

FEATURES / BENEFITS

- High precision MTP/APC and SC/APC fiber connectors provide low insertion loss, high return loss, excellent stability and durability
- Mechanical branching system ensures full strain relief
- Customized lengths are available in addition to the 3m standard version
- All connectors are terminated and tested in controlled conditions to ensure optimum performance and reliability
- RFS' "Plug and Play" solution simplifies network design, minimizes installation/testing time and the necessary on site skills



Technical features

STRUCTURE

Cable Type		12 single mode fibers (G657A2), LSZH jacket, yellow
Number of Fiber		12

MECHANICAL SPECIFICATIONS

Minimum Bending Radius, (Operating)	mm (in)	30 (1.181)
Minimum Bending Radius, (Installation)	mm (in)	50 (1.969)
Tensile Strength (Operating)		30 N
Tensile Strength (Installation)		100 N
Crush Resistance (Operating)		100 N / 10 cm
Crush Resistance (Installation)		500 N / 10 cm

CABLE JACKET

Jacket Material		LSZH
Outer Diameter Nominal	mm (in)	3 (0.118)

F/O CABLE SPECIFICATIONS

Core/Clad	µm	9 /125
F/O Cable Jacket		LSZH
F/O Standards (Meets or Exceeds)		G657A2
Fiber Termination End 1		MTP/APC male, single mode, yellow housing, IEC 61754-7
Fiber Termination End 2		12 x SC/APC simplex
FO Break-out length	mm(in)	600 +/-100
Fiber Attenuation		≤ 0.36dB/km λ=1310nm ; ≤0.22dB/km λ =1550nm
Connector Insertion Loss		MTP(SM): Max. 0.35 dB @ 1310&1550nm/ IEC 61300-3-4 Method B ; SC/APC(SM): Max. 0.30 dB @ 1310&1550nm/ IEC 61300-3-4 Method B
Connector Return Loss		MTP(SM): Min. 60 dB @ 1310&1550nm ; SC/APC(SM): Min. 60 dB @ 1310&1550nm



TESTING AND ENVIRONMENTAL

Storage Temperature	°C (°F)	-25 to 70 (-13 to 158)
Operation Temperature	°C (°F)	-20 to 60 (-4 to 140)
Installation Temperature	°C (°F)	-10 to 55 (14 to 131)

ORDERING INFORMATION

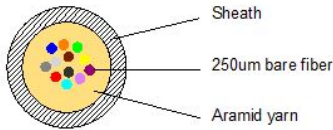
L<30M	1 pc in Bag
-------	-------------

ADDITIONAL ASSEMBLIES

Length	Model Name
1 m	FONF-MU06S-001M
2 m	FONF-MU06S-002M
3 m	FONF-MU06S-003M
4 m	FONF-MU06S-004M
5 m	FONF-MU06S-005M
6 m	FONF-MU06S-006M
7 m	FONF-MU06S-007M
8 m	FONF-MU06S-008M
9 m	FONF-MU06S-009M
10 m	FONF-MU06S-010M

Cable structure

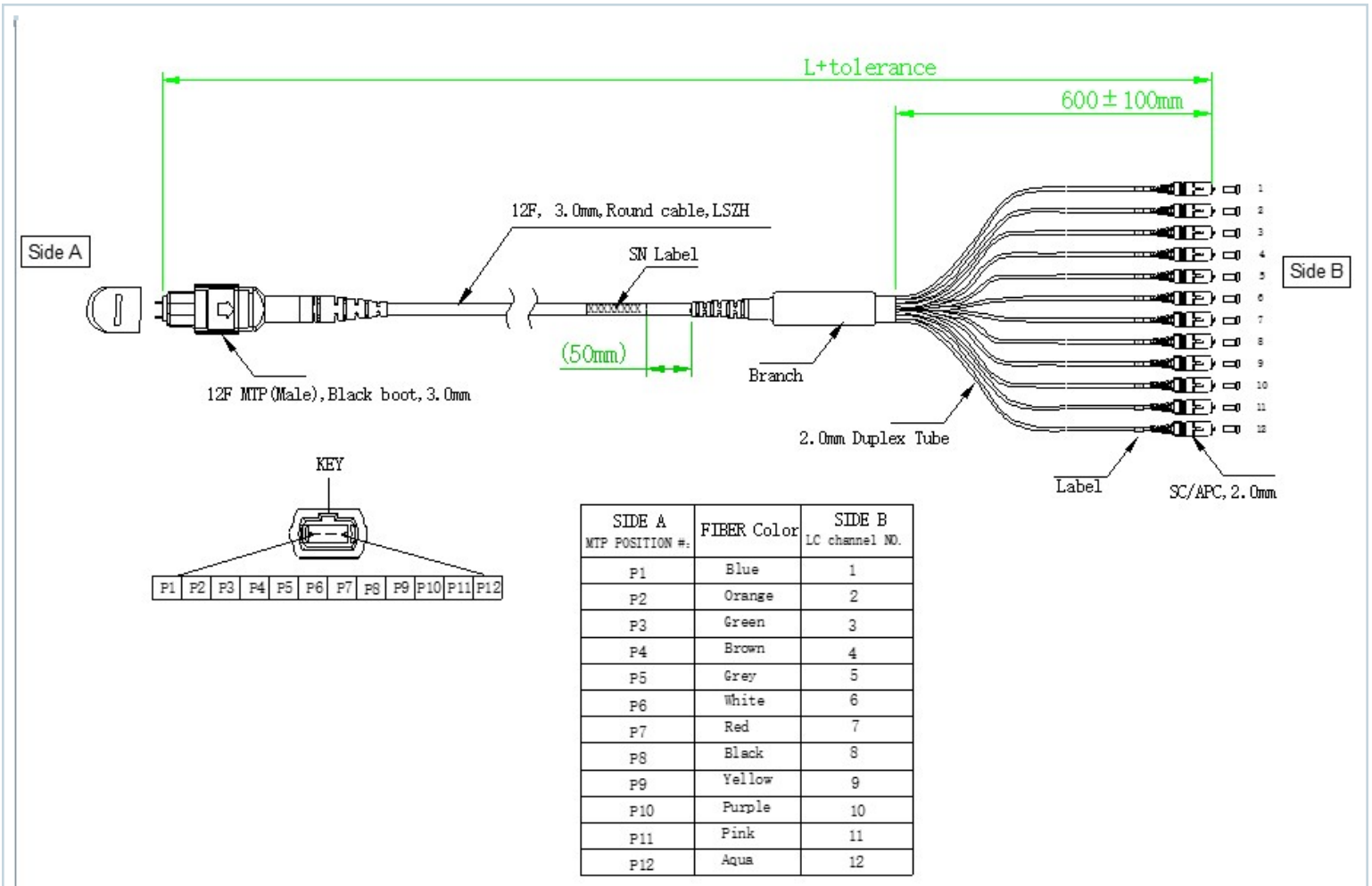
Cable diameter 3.0mm
 Sheath Color Aqua (BI-OM3); Purple (BI-OM4); Yellow (G657A2)





FONF-MU06S-XXXM

HYBRIFLEX® Fiber Optic Cable Assembly, MTP12/APC Male to 12 x SC/APC, LSZH, Indoor



External Document Links

Notes