



HA-DCTC-DB-10U3-XXX-CJ

Power Connect cable 10 mm² for connection of 3 RRUs

RFS Technologies cabling solution for Remote Radio Unit (RRU) combines optical fiber and DC power in a single lightweight aluminum corrugated cable, making it the world's most innovative solution for RRU deployments. It was developed to reduce installation complexity and cost at Cellular sites.

RFS Technologies cabling solutions allows mobile operators deploying RRU architecture to standardized installation process and eliminates the need for and the cost of cable grounding. The **RFS Technologies Power Connect** cable HA-DCTC-DB-10U3-XXX consists of three pair DC wires protected by a CPR jacket.

FEATURES / BENEFITS

- Halogen-free and flame-retardant material (CPR)
- Comply with IEC 60228
- IP 68 Connector sealing
- IP67 Assembly sealing



Technical features

STRUCTURE

Cable Type		Power Cable Assembly
Fire Performance		CPR B2ca s1 d0, LSZH, for the cable

DC POWER CABLE SPECIFICATIONS

Number of DC Pairs		3
Maximum DC-Resistance Power Cable	Ω/km (Ω/kft)	1.91 (0.58)
Cross Section of Power Cable	mm ² (AWG)	10 (7)
DC Wire Jacket Material		UV stable Flame retardant
DC Wire Jacket Thickness	mm (in)	0.45 (0.017)
DC Cable Single Bending Radius	mm (in)	51 (2.01)
DC Cable Diameter	mm (in)	5.1 (0.2)
DC Standards (Meets or Exceeds)		IEC 60228

MECHANICAL SPECIFICATIONS

Cable Weight	kg/m (lb/ft)	0.7 (0.47)
Minimum Bending Radius, (Operating)	mm (in)	120 (4.72)
Minimum Bending Radius, (Installation)	mm (in)	254 (10)
Recommended / Maximum Clamp Spacing	m (ft)	0.8 / 1 (2 / 3.25)

CABLE JACKET

UV-Protection Individual and External Jacket		Yes
Jacket Material		CPR Flame Retardant, LSZH
Outer Diameter Nominal	mm (in)	16.85 (0.66)



HA-DCTC-DB-10U3-XXX-CJ

Power Connect cable 10 mm² for connection of 3 RRUs

F/O CABLE SPECIFICATIONS

F/O Cable Type		HYBRIFLEX™ Power Cable Assembly
-----------------------	--	---------------------------------

TESTING AND ENVIRONMENTAL

Storage Temperature	°C (°F)	-40 to 85 (-40 to 185)
Operation Temperature	°C (°F)	-40 to 85 (-40 to 185)
Installation Temperature	°C (°F)	-20 to 50 (-4 to 122)

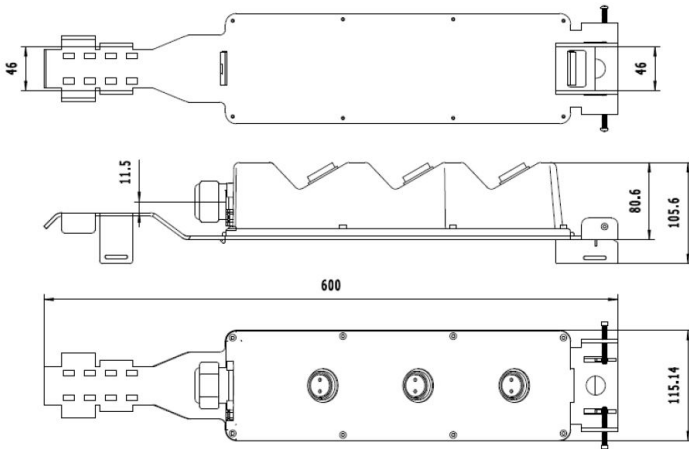
ADDITIONAL ASSEMBLIES

Length	Model Name
10 m	HA-DCTC-DB-10U3-010-CJ
15 m	HA-DCTC-DB-10U3-015-CJ
20 m	HA-DCTC-DB-10U3-020-CJ
25 m	HA-DCTC-DB-10U3-025-CJ
30 m	HA-DCTC-DB-10U3-030-CJ
35 m	HA-DCTC-DB-10U3-035-CJ
40 m	HA-DCTC-DB-10U3-040-CJ
50 m	HA-DCTC-DB-10U3-050-CJ
60 m	HA-DCTC-DB-10U3-060-CJ
70 m	HA-DCTC-DB-10U3-070-CJ

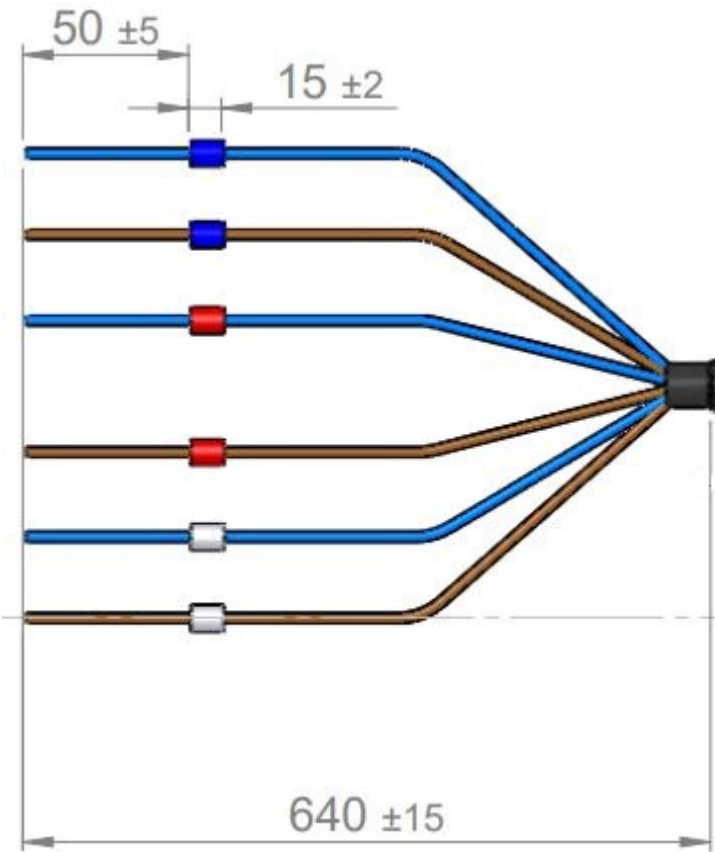


HA-DCTC-DB-10U3-XXX-CJ

Power Connect cable 10 mm² for connection of 3 RRUs



Compact Distributor Dimensions



Bottom Section

[External Document Links](#)

[Notes](#)