



RFS' HYBRIFLEX™ cabling solution for Remote Radio Head (RRU) combines optical fiber and DC power for RRUs in a single lightweight aluminum corrugated cable, making it the world's most innovative solution for RRH deployments. It was developed to reduce installation complexity and cost at Cellular sites.

The **HYBRIFLEX™** hybrid cable family is now supplemented by two new members: The Fiber Optic trunk cable and the DC trunk cable available in a large variety of fiber counts, DC counts and DC cross sections.

The armored F/O trunk cable is part of the cabling solution for RRU's meant to build the F/O connection from the bottom patch panel to the Distribution Box near the RRU. It consists of a jacketed part of length XXX, a breakout part with a Compact Distributor and a breakout part to the BBU side. The F/O trunk cables can be ordered from 10m up to 120m in increments of 10 m jacketed length.



FEATURES / BENEFITS

- Halogen-free and flame-retardant cable jacket material (CPR)
- Multifunctional E-glass yarns as strain relief elements and non-metallic rodent protection
- High class F/O performance
- IP 68 Connector sealing
- IP 67 Assembly sealing

Technical features

STRUCTURE

Cable Type		CPR Fiber Trunk
Size		8.6 mm ± 0.5mm
Fire Performance		Cca s1b d1 a1 (for the cable only)

MECHANICAL SPECIFICATIONS

Cable Weight	kg/m (lb/ft)	0.08 (0.054)
Minimum Bending Radius, (Operating)	mm (in)	129 (5.079)
Minimum Bending Radius, (Installation)	mm (in)	172 (6.772)
Tensile Strength	N (lb)	2500 (562.02)

CABLE JACKET

Jacket Material		Halogen-free and flame-retardant material (CPR)
Outer Diameter Nominal	mm (in)	8.6 (0.339)

ARMOR SPECIFICATIONS

Armor Type		Multifunctional E-glass yarns as strain relief elements and non-metallic rodent protection
------------	--	--



F/O CABLE SPECIFICATIONS

F/O Cable Type		Jelly filled loose tube, Single Mode
Number of F/O Pairs		12
Core/Clad	µm	9 /125
Optical Loss	dB/Km	3 @ 1310 nm 3 @ 1550 nm
Fiber Termination End 1		Compact Distributor for 6 Jumpers with ODVA connector
Fiber Termination End 2		6 x DLC Connectors

TESTING AND ENVIRONMENTAL

Storage Temperature	°C (°F)	-25 to 70 (-13 to 158)
Operation Temperature	°C (°F)	-25 to 60 (-13 to 140)
Installation Temperature	°C (°F)	-5 to 50 (23 to 122)

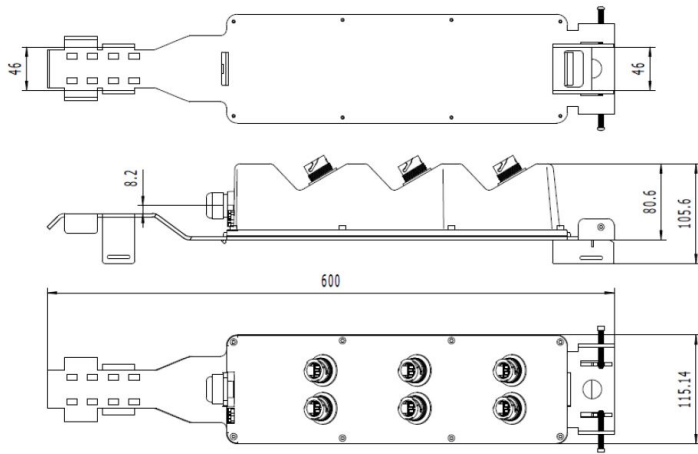
ADDITIONAL ASSEMBLIES

Length	Model Name
10 m	HA-FOTC-DL-06SM-010-CJ
20 m	HA-FOTC-DL-06SM-020-CJ
30 m	HA-FOTC-DL-06SM-030-CJ
40 m	HA-FOTC-DL-06SM-040-CJ
50 m	HA-FOTC-DL-06SM-050-CJ
60 m	HA-FOTC-DL-06SM-060-CJ
70 m	HA-FOTC-DL-06SM-070-CJ
80 m	HA-FOTC-DL-06SM-080-CJ
90 m	HA-FOTC-DL-06SM-090-CJ
100 m	HA-FOTC-DL-06SM-100-CJ
Other lengths on request	

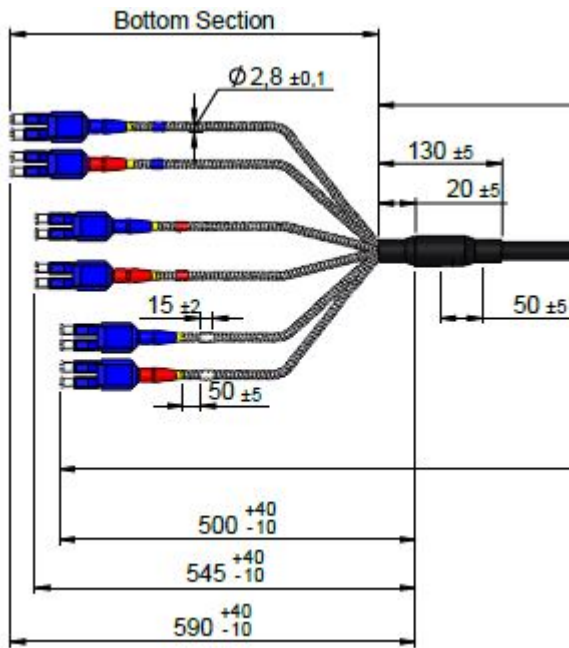


HA-FOTC-DL-06SM-XXX-CJ

HYBRIFLEX® Fiber Trunk Cable, Single-Mode with Top Distributor



Compact Distributor Dimensions



External Document Links

Notes