



RFS Technologies HYBRIFLEX™ cabling solution for Remote Radio Head (RRU) combines optical fiber and DC power for RRUs in a single cable, making it the world’s most innovative solution for RRH deployments. It was developed to reduce installation complexity and cost at Cellular sites and is available with and without armor.

The HYBRIFLEX™ hybrid cable family is now supplemented by two new members: The Fiber Optic trunk cable and the DC trunk cable available in a large variety of fiber counts, DC counts and DC cross sections.

The armored F/O trunk cable is part of the cabling solution for RRU’s meant to build the F/O connection from the bottom patch panel to the Distribution Box near the RRU. It consists of a jacketed part of length XX, a breakout part to the Distribution Box and a breakout part to the BBU side. The F/O trunk cables can be ordered from 10 m up to 200 m in increments of 10 m jacketed length.



Example for 3 Pairs

FEATURES / BENEFITS

- **Outdoor LSZH jacket** Ensure long-lasting cable protection
- **High class F/O performance**

Technical features

STRUCTURE

Cable Type		Fiber Trunk
------------	--	-------------

MECHANICAL SPECIFICATIONS

Minimum Bending Radius, (Operating)	mm (in)	70 (3)
Minimum Bending Radius, (Installation)	mm (in)	125 (5)

CABLE JACKET

UV-Protection Individual and External Jacket		Yes
Jacket Material		Flame retardant, LSZH
Outer Diameter Nominal	mm (in)	7 (0.276)

F/O CABLE SPECIFICATIONS

F/O Cable Type		Tight Buffer, Single Mode
Core/Clad	µm	9 /125
Optical Loss	dB/Km	1 @ 1310 nm 1 @ 1550 nm
Fiber Termination End 1		ODVA Connector incl. ODVA inline adapter pre-installed (see picture below)
Fiber Termination End 2		LC Duplex



TESTING AND ENVIRONMENTAL

Storage Temperature	°C (°F)	-40 to 70 (-40 to 158 )
Operation Temperature	°C (°F)	-40 to 65 (-40 to 149 )
Installation Temperature	°C (°F)	-20 to 65 (-4 to 149 )

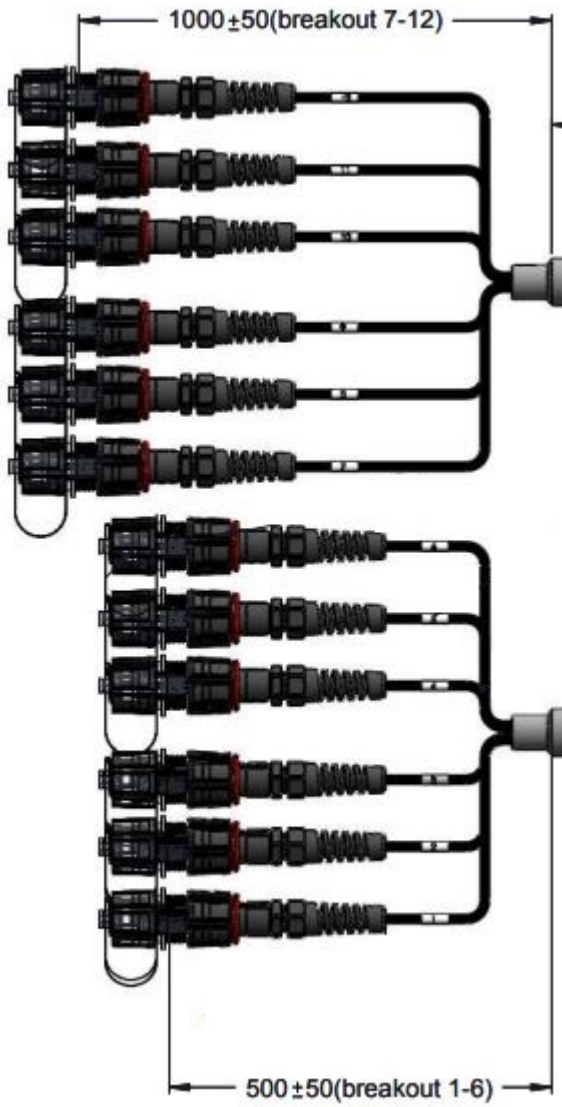
ADDITIONAL ASSEMBLIES

Length	3 pairs Fiber	6 pairs Fiber	12 pairs Fiber	24 pairs Fiber
10 m	HA-FOTF-VL-03SM-010-01	HA-FOTF-VL-06SM-010-01	HA-FOTF-VL-12SM-010-01	HA-FOTF-VL-24SM-010-01
20 m	HA-FOTF-VL-03SM-020-01	HA-FOTF-VL-06SM-020-01	HA-FOTF-VL-12SM-020-01	HA-FOTF-VL-24SM-020-01
30 m	HA-FOTF-VL-03SM-030-01	HA-FOTF-VL-06SM-030-01	HA-FOTF-VL-12SM-030-01	HA-FOTF-VL-24SM-030-01
40 m	HA-FOTF-VL-03SM-040-01	HA-FOTF-VL-06SM-040-01	HA-FOTF-VL-12SM-040-01	HA-FOTF-VL-24SM-040-01
50 m	HA-FOTF-VL-03SM-050-01	HA-FOTF-VL-06SM-050-01	HA-FOTF-VL-12SM-050-01	HA-FOTF-VL-24SM-050-01
60 m	HA-FOTF-VL-03SM-060-01	HA-FOTF-VL-06SM-060-01	HA-FOTF-VL-12SM-060-01	HA-FOTF-VL-24SM-060-01
70 m	HA-FOTF-VL-03SM-070-01	HA-FOTF-VL-06SM-070-01	HA-FOTF-VL-12SM-070-01	HA-FOTF-VL-24SM-070-01
80 m	HA-FOTF-VL-03SM-080-01	HA-FOTF-VL-06SM-080-01	HA-FOTF-VL-12SM-080-01	HA-FOTF-VL-24SM-080-01
90 m	HA-FOTF-VL-03SM-090-01	HA-FOTF-VL-06SM-090-01	HA-FOTF-VL-12SM-090-01	HA-FOTF-VL-24SM-090-01
100 m	HA-FOTF-VL-03SM-100-01	HA-FOTF-VL-06SM-100-01	HA-FOTF-VL-12SM-100-01	HA-FOTF-VL-24SM-100-01
110 m	HA-FOTF-VL-03SM-110-01	HA-FOTF-VL-06SM-110-01	HA-FOTF-VL-12SM-110-01	HA-FOTF-VL-24SM-110-01
120 m	HA-FOTF-VL-03SM-120-01	HA-FOTF-VL-06SM-120-01	HA-FOTF-VL-12SM-120-01	HA-FOTF-VL-24SM-120-01
130 m	HA-FOTF-VL-03SM-130-01	HA-FOTF-VL-06SM-130-01	HA-FOTF-VL-12SM-130-01	HA-FOTF-VL-24SM-130-01
140 m	HA-FOTF-VL-03SM-140-01	HA-FOTF-VL-06SM-140-01	HA-FOTF-VL-12SM-140-01	HA-FOTF-VL-24SM-140-01
150 m	HA-FOTF-VL-03SM-150-01	HA-FOTF-VL-06SM-150-01	HA-FOTF-VL-12SM-150-01	HA-FOTF-VL-24SM-150-01
160 m	HA-FOTF-VL-03SM-160-01	HA-FOTF-VL-06SM-160-01	HA-FOTF-VL-12SM-160-01	HA-FOTF-VL-24SM-160-01
170 m	HA-FOTF-VL-03SM-170-01	HA-FOTF-VL-06SM-170-01	HA-FOTF-VL-12SM-170-01	HA-FOTF-VL-24SM-170-01
180 m	HA-FOTF-VL-03SM-180-01	HA-FOTF-VL-06SM-180-01	HA-FOTF-VL-12SM-180-01	HA-FOTF-VL-24SM-180-01
190 m	HA-FOTF-VL-03SM-190-01	HA-FOTF-VL-06SM-190-01	HA-FOTF-VL-12SM-190-01	HA-FOTF-VL-24SM-190-01
200 m	HA-FOTF-VL-03SM-200-01	HA-FOTF-VL-06SM-200-01	HA-FOTF-VL-12SM-200-01	HA-FOTF-VL-24SM-200-01



# HA-FOTF-VL-XXSM-XXX-01

HYBRIFLEX® Fiber Trunk Cable, Single-Mode

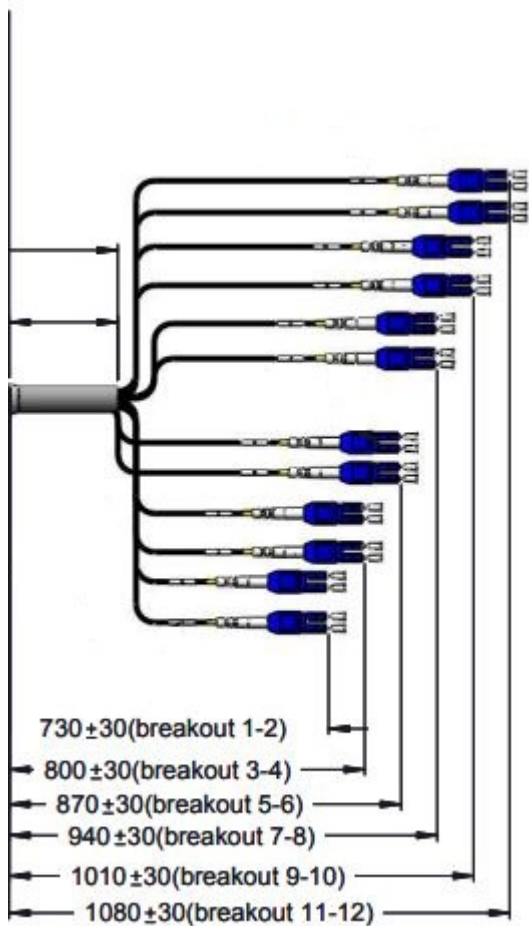


Top Breakout 12 pairs

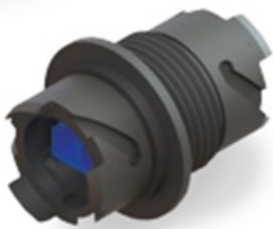


# HA-FOTF-VL-XXSM-XXX-01

HYBRIFLEX® Fiber Trunk Cable, Single-Mode



Bottom Breakout 12 pairs



Inline Adapter

[External Document Links](#)

[Notes](#)