

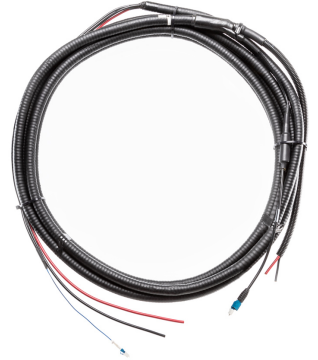


HBF058-08U1SS-12F1

HYBRIFLEX® RRH Hybrid Jumper, 5/8", 1 pair 8AWG, 1 Single Strand, Single-Mode Fiber with LC Connectors, 12 ft

PRODUCT DESCRIPTION

RFS Technologies, inc. HYBRIFLEX Remote Radio Head (RRH) hybrid feeder cabling solution combines optical fiber and DC power for RRHs in a single lightweight aluminum corrugated cable, making it the world's most innovative solution for RRH deployments. It was developed to reduce installation complexity and costs at Cellular sites. HYBRIFLEX allows mobile operators deploying an RRH architecture to standardize the RRH installation process. HYBRIFLEX combines optical fiber (multi-mode or single-mode) and power in a single corrugated cable. It may eliminate the need for junction boxes and can connect multiple RRHs with a single feeder. Standard RFS Technologies CELLFLEX® accessories can be used with HYBRIFLEX cable.



FEATURES / BENEFITS

- Aluminum corrugated armor with outstanding bending characteristics - Minimizes installation time and enables mechanical protection and shielding
- Outer conductor grounding - Saves on installation costs
- Lightweight solution and compact design - Decreases tower loading
- Robust cabling - Eliminates need for expensive cable trays and ducts
- Installation of tight bundled fiber optic cable pairs directly to the RRH - Reduces CAPEX and wind load by eliminating need for interconnection
- Optical fiber and power cables housed in single corrugated cable - Saves CAPEX by standardizing RRH cable installation and reducing installation requirements
- UL-Listed, flame-retardant jacket, UV protected assemblies - Allows both indoor and outdoor applications
- **100% Factory tested - Online test results available**

TECHNICAL FEATURES

STRUCTURE

Cable Type		HYBRIFLEX®
Fire Performance		Flame Retardant
Size		5/8
Length	m (ft)	3.6 (12)

MECHANICAL SPECIFICATIONS

Outer Diameter Nominal	mm (in)	21.4 (0.84)
Cable Weight	kg/m (lb/ft)	0.6 (0.4)
Minimum Bending Radius, Single Bend	mm (in)	102 (4)
Minimum Bending Radius, Multiple Bends	mm (in)	254 (10)
Recommended / Maximum Clamp Spacing	m (ft)	1 / 1.2 (3.25 / 4)

CABLE JACKET

UV-Protection Individual and External Jacket		Yes
--	--	-----



HBF058-08U1SS-12F1

HYBRIFLEX® RRH Hybrid Jumper, 5/8", 1 pair 8AWG, 1 Single Strand, Single-Mode Fiber with LC Connectors, 12 ft

ARMOR SPECIFICATIONS

Armor Type		Corrugated Aluminum
Maximum DC-resistance of Armor		1.97 (0.6)
Diameter Corrugated Armor		18.5 (0.73)

DC POWER CABLE SPECIFICATIONS

Number of DC Pairs		1
Maximum DC-Resistance Power Cable	Ω/km (Ω/kft)	2.2 (0.66)
Cross Section of Power Cable	mm ² (AWG)	8.4 (8)
DC Wire Jacket Material		PVC/Nylon
DC Cable Single Bending Radius	mm (in)	83 (3.3)
DC Cable Diameter	mm (in)	5.5 (0.22)
DC Standards (Meets or Exceeds)		For use in Type MC per UL 1569, PVC Nylon, RoHS/REACH Compliant
Break-out length (Top)	mm (in)	559 (22)
Break-out length (Bottom)	mm (in)	965 (38)
DC cable sealing method		Semi-rigid, flame-retardant polyolefin, with hot melt adhesive

F/O CABLE SPECIFICATIONS

Number of F/O Strands		1
F/O Cable Type		G657-A2 Single Mode, Bend Tolerant
Core/Clad	μm	9/125
Single Bending Radius	mm (in)	83 (3.3)
F/O Standards (Meets or Exceeds)		UL Listed Type OFNR (UL1666), RoHS Compliant
Optical Loss	dB/Km	0.5 @ 1310 nm 0.5 @ 1550 nm
FO Break-out Length (Top)	mm (in)	583 (23)
FO Break-out Length (Bottom)	mm (in)	965 (38)
Cable Sealing Method		Semi-rigid flame-retardant polyolefin, with hot melt adhesive

Fiber Termination End 1		LC Connector
Fiber Termination End 2		LC Connector

TESTING AND ENVIRONMENTAL

Storage Temperature	°C (°F)	-40 to 70 (-40 to 158)
Operation Temperature	°C (°F)	-40 to 65 (-40 to 149)
Installation Temperature	°C (°F)	-20 to 65 (-4 to 149)
Jacket Specifications		UL1569 Type MC, UL Listed



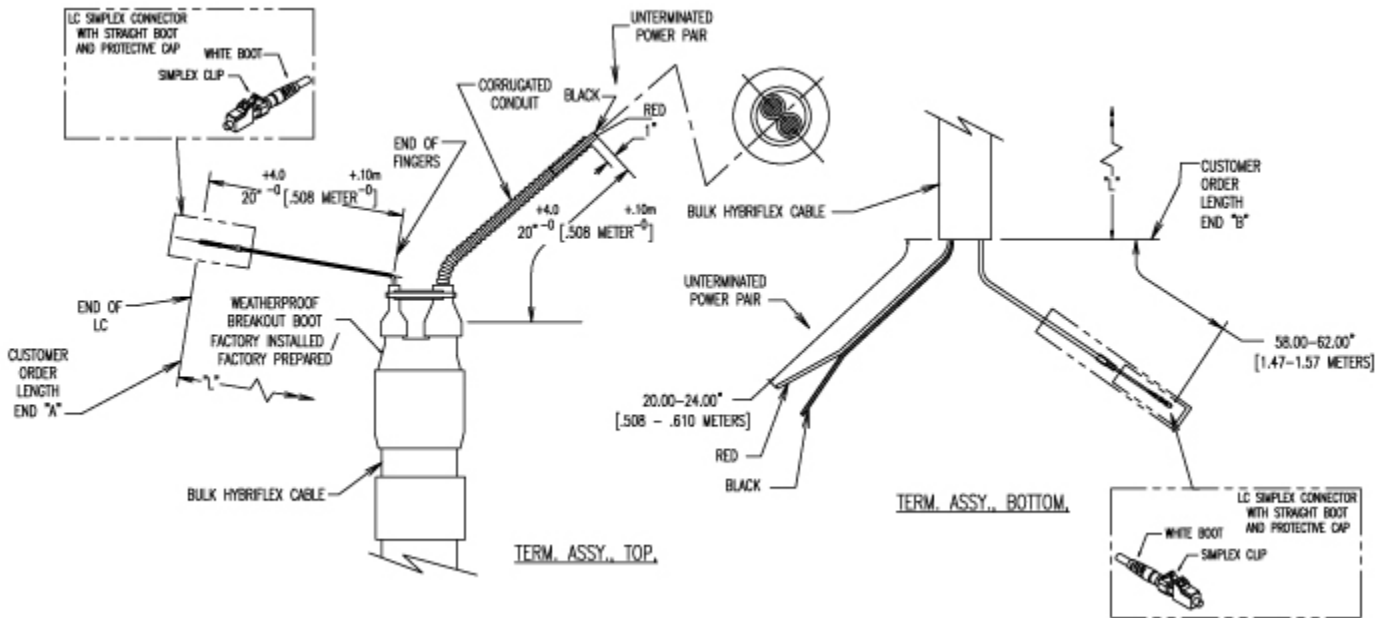
HBF058-08U1SS-12F1

HYBRIFLEX® RRH Hybrid Jumper, 5/8", 1 pair 8AWG, 1 Single Strand, Single-Mode Fiber with LC Connectors, 12 ft

EXTERNAL DOCUMENT LINKS

QuickShip 2.0 Program Information: [Download](#)
On-line Factory Test Results: [View](#)

NOTES

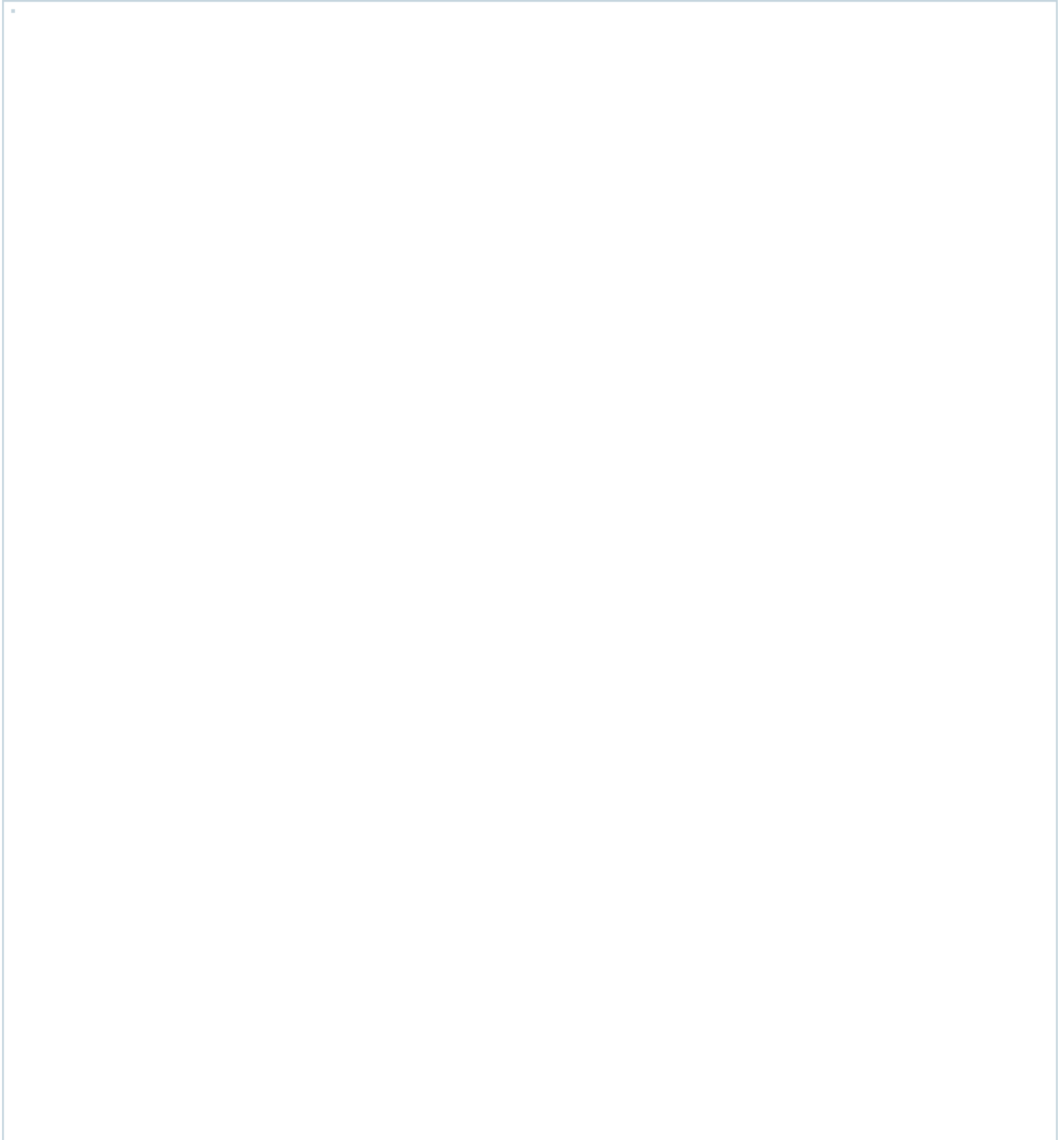




PRODUCT DATASHEET

HBF058-08U1SS-12F1

HYBRIFLEX® RRH Hybrid Jumper, 5/8", 1 pair 8AWG, 1 Single Strand, Single-Mode Fiber with LC Connectors, 12 ft



**HBF058-08U1SS-12F1**

HYBRIFLEX® RRH Hybrid Jumper, 5/8", 1 pair 8AWG, 1 Single Strand, Single-Mode Fiber with LC Connectors, 12 ft

ADDITIONAL ASSEMBLIES - 1 PAIR SM FIBER

Length, ft	Model Number
3	HBF058-08U1S1-3F
5	HBF058-08U1S1-5F
6	HBF058-08U1S1-6F
8	HBF058-08U1S1-8F
9	HBF058-08U1S1-9F
10	HBF058-08U1S1-10F
12	HBF058-08U1S1-12F
14	HBF058-08U1S1-14F
15	HBF058-08U1S1-15F
20	HBF058-08U1S1-20F
25	HBF058-08U1S1-25F
30	HBF058-08U1S1-30F
40	HBF058-08U1S1-40F
50	HBF058-08U1S1-50F
60	HBF058-08U1S1-60F
70	HBF058-08U1S1-70F
80	HBF058-08U1S1-80F
90	HBF058-08U1S1-90F
100	HBF058-08U1S1-100F
125	HBF058-08U1S1-125F
150	HBF058-08U1S1-150F
175	HBF058-08U1S1-175F
200	HBF058-08U1S1-200F
300	HBF058-08U1S1-300F
400	HBF058-08U1S1-400F

ADDITIONAL ASSEMBLIES - 2 PAIR SM FIBER

Length, ft	Model Number
3	HBF058-08U1S2-3F1
5	HBF058-08U1S2-5F1
6	HBF058-08U1S2-6F1
8	HBF058-08U1S2-8F1
9	HBF058-08U1S2-9F1
10	HBF058-08U1S2-10F1
12	HBF058-08U1S2-12F1
15	HBF058-08U1S2-15F1
20	HBF058-08U1S2-20F1
25	HBF058-08U1S2-25F1
30	HBF058-08U1S2-30F1



HBF058-08U1SS-12F1

HYBRIFLEX® RRH Hybrid Jumper, 5/8", 1 pair 8AWG, 1 Single Strand, Single-Mode Fiber with LC Connectors, 12 ft

40	HBF058-08U1S2-40F1
50	HBF058-08U1S2-50F1
60	HBF058-08U1S2-60F1
70	HBF058-08U1S2-70F1
80	HBF058-08U1S2-80F1
90	HBF058-08U1S2-90F1
100	HBF058-08U1S2-100F1
130	HBF058-08U1S2-130F1
140	HBF058-08U1S2-140F1
160	HBF058-08U1S2-160F1
170	HBF058-08U1S2-170F1
200	HBF058-08U1S2-200F1
230	HBF058-08U1S2-230F1
250	HBF058-08U1S2-250F1
300	HBF058-08U1S2-300F1
400	HBF058-08U1S2-400F1

ADDITIONAL ASSEMBLIES - 1 STRAND SM FIBER

Length, ft	Model Number
8	HBF058-08U1SS-08F1
12	HBF058-08U1SS-12F1
15	HBF058-08U1SS-15F1
20	HBF058-08U1SS-20F1
30	HBF058-08U1SS-30F1

ADDITIONAL ASSEMBLIES - 2 STRAND SM FIBER

Length, ft	Model Number
10	HBF058-08U1SS2-10F1
20	HBF058-08U1SS2-20F1
30	HBF058-08U1SS2-30F1
40	HBF058-08U1SS2-40F1
50	HBF058-08U1SS2-50F1
60	HBF058-08U1SS2-60F1
70	HBF058-08U1SS2-70F1
80	HBF058-08U1SS2-80F1
90	HBF058-08U1SS2-90F1
100	HBF058-08U1SS2-100F1



HBF058-08U1SS-12F1

HYBRIFLEX® RRH Hybrid Jumper, 5/8", 1 pair 8AWG, 1 Single Strand, Single-Mode Fiber with LC Connectors, 12 ft

PRE-PACKED HYBRIFLEX KITS FOR EASY INTEGRATION INTO RAYCAP JUNCTION BOXES

RFS Technologies now offers Kitting options for most hybrid risers and jumpers that include both the cable assembly and the Raycap inserts. For reference, kits have a "K" as the third digit in the model number. HB158 does not require an additional gland/insert for proper installation and sealing into the Distribution Boxes.

Kit Model Prefix	Assembly Prefix	Assembly Qty	Raycap Insert Kit	Insert Kit Contents	Raycap Insert Kit Qty
HBK114	HB114	1	RFS Technologies-TRUNK-KIT	(2) 190 0620, Insert, M75, 1H, 40mm	1
HBK058	HBF058		RFS Technologies-JUMP-KIT	(1) 190 0621, Insert, M75, 3H, 22mm, Split w/ plugs	
HBK012	HBF012		RFS Technologies-JUMP-KIT-2	(1) 190 0903, Insert, M75, 2H, 15mm, Split w/ plugs	
FRK-N	FR-N		RFS Technologies-FIBER-KIT	(1) 190 0657, Insert, M75, 6H, 6.1mm, Split w/ plugs	