



HCH-158-1R

Cable hanger for Air Dielectric Cable

Hangers for the installation of Air Dielectric Cable[®] cables on different supporting profiles.
Cable Clamp and Extended Counterbed hot-galvanized steel
Screw: stainless steel.

FEATURES / BENEFITS



picture shows the 1L4 version for illustration purpose only

Technical features

GENERAL SPECIFICATIONS

| | | |
|------------------------|--|---|
| Product Line | | Coaxial Cable Accessories |
| Product Type | | Hanger |
| Hanger Type | | Flat iron 6-12mm (0.24-0.47") |
| Transmission Line Type | | HCA158 |
| Cable Type | | Air Dielectric Coaxial Foam Dielectric |

MECHANICAL SPECIFICATIONS

| | | |
|-------------------------------------|--------|--|
| Cable Size | | 1-5/8 |
| Material | | Cable Clamp : hot-dip galvanized Extended Counterbed : hot-dip galvanized Screw: Stainless steel |
| Recommended / Maximum Clamp Spacing | m (ft) | 0.8 / 1.2 (2.75 / 4) |

TEMPERATURE SPECIFICATIONS

| | | |
|-----------------------|---------|-------------------------|
| Operation Temperature | °C (°F) | -50 to 85 (-58 to 185) |
| Storage Temperature | °C (°F) | -50 to 85 (-58 to 185) |

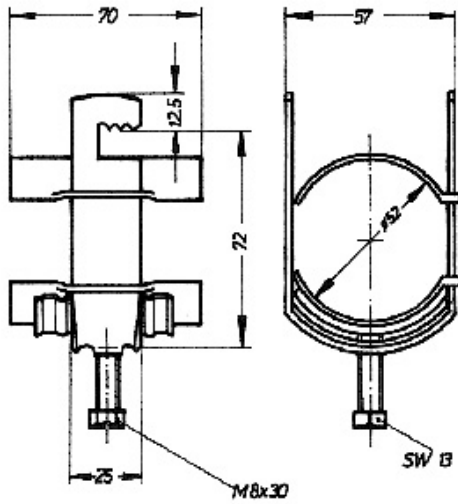
PACKAGING INFORMATION

| | | |
|------------------|---------|-------------|
| Package Quantity | | 1 |
| Weight per piece | kg (lb) | 0.19 (0.42) |



HCH-158-1R

Cable hanger for Air Dielectric Cable



External Document Links

Notes

Hangers for flat iron 6-12 mm (0.24-0.47")