



Hot dip galvanized universal installation cleat with two threads M8

FEATURES / BENEFITS



Technical features

STRUCTURE

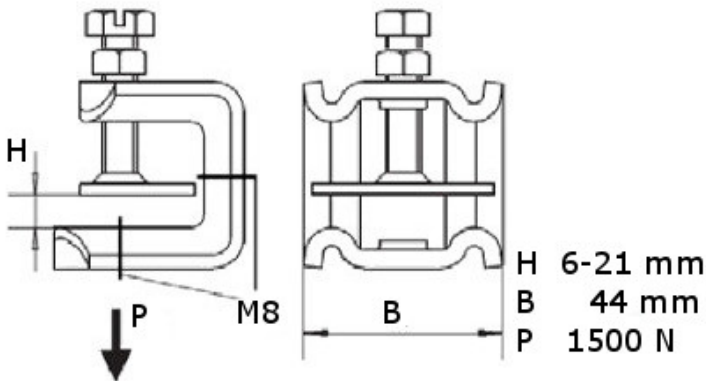
Product Line		Elliptical Waveguide Accessories Coaxial Cable Accessories
Product Type		Installation Hardware
Hanger Type		Cleat - clamp

MECHANICAL SPECIFICATIONS

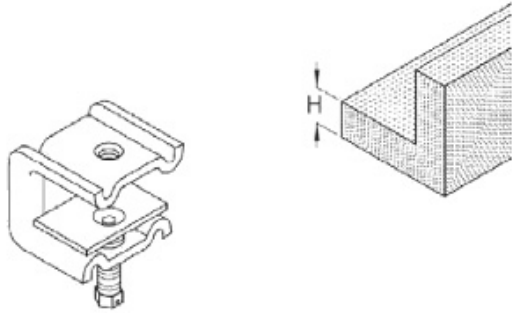
Angle member adapter clamping range mm (in)		6 - 21 (0.23 - 0.83)
Angle member adpter threads		M8
Material		Clamp: Hot dip galvanized steel Screw: Stainless steel

PACKAGING INFORMATION

Package Quantity		10
Weight per piece	kg (lb)	0.19 (0.42)
Weight per kit	kg (lb)	2 (4.4)



Dimensions



Installation Example

[External Document Links](#)

[Notes](#)