



MULTIFLEX Jumper-Cable assemblies are the simple solution for those who like to have a very low loss transmission jumper with highest flexibility at both connection ends. RFS Technologies site kitting services offers a full assembled Jumper containing feeder-cable from LCF78-50 to LCF158-50, and Jumper cable such as super flexible SCF12-50 for both endings.

FEATURES / BENEFITS

- **Stable premium VSWR, outstanding and consistent intermodulation performance - 4.3-10 side not relying on coupling torque**
Improves network performance, reduces the number of dropped calls and avoids revenue loss.
- **Waterproof to IP 68**
No downtime risk, secures revenue.
- **Smaller connector footprint for 4.3-10**
Enables tighter spacing of connections for antennas and RRHs.
- **Available with standard ""J"" or flame retardant ""JFN"" jacket types**
Usable on global basis in all applications.



7MRS12-7MRS12-L78J0200

Technical features

JUMPER FEATURES

Application		Main feed transitions to equipment, GPS lines, intended for outdoor usage (J) or indoor usage (JFN)
Installation Temperature	°C (°F)	-40 to 60 (-40 to 140)
Storage Temperature	°C (°F)	-70 to 85 (-94 to 185)
Operation Temperature	°C (°F)	-50 to 85 (-58 to 185)
Fire Performance Class		Halogen free (B2ca option available)
Sealing Class		IP68
RoHS		Compliant to RoHS (EU) and CRoHS (China)
Third Order Intermodulation	dBc	-161 static & dynamic (-165 typical)
Maximum Operating Frequency	GHz	6

CABLE DETAILS

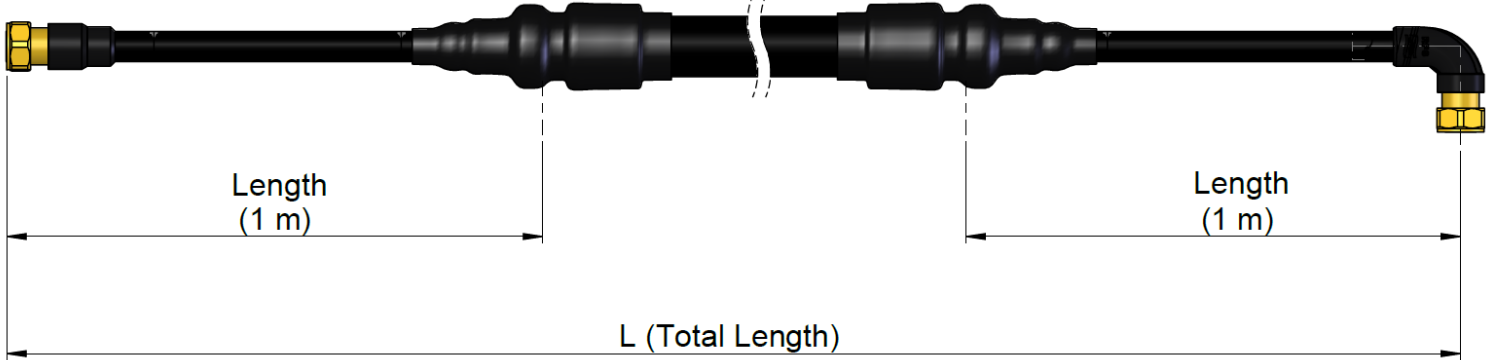
Cable Type	LCF78-50	SCF12-50
Cable weight	0.35 Kg/m (0.23 lb/ft)	0.135 Kg/m (0.09 lb/ft)
Min bending radius, single bending	120 mm (5 in)	32 mm (1.3 in)
Min bending radius, multiple bending	250 mm (10 in)	32 mm (1.3 in)
bending moment	13 Nm (10 lb*ft)	2.5 Nm (1.84 lb*ft)
Tensile strength	1440 Nm (324 lb)	650 Nm (146 lb)
Recommended maximum clamp spacing	0.8 / 1 m (2.75 / 3.25 ft)	0.3 / 0.5 m (1 / 1.64 ft)
Velocity factor	88 %	77 %
Capacitance	74 pF/m (22.5 pF/ft)	86 pF/m (26 pF/ft)



MULTIFLEX-L78

CELLFLEX®MULTIFLEX Jumper Assembly with low loss coax, LCF78 feeder

Jacket Spark tested up to:	8000 V RMS	5000 V RMS
Inner conductor DC resistance	2.04 Ω/Km (0.62 Ω/ 1000 ft)	2.97 Ω/Km (0.9 Ω/ 1000 ft)
Outer conductor DC resistance	2 Ω/Km (0.61 Ω/ 1000 ft)	6.5 Ω/Km (1.98 Ω/ 1000 ft)



Schematic sktech of a MULTIFLEX Jumper. The total assembly length "L" is defined by the variable length of the feeder cable plus 2 m jumper lengths.

ELECTRICAL PERFORMANCE

Insertion loss @20°C (A = L*A1 + 2*A2)	Adjustable LCF78 feeder (A1)	1m Jumpers (A2)
Attenuation @1 GHz	0.04 dB/m	0.20 dB
Attenuation @2.2 GHz	0.062 dB/m	0.315 dB
Attenuation @2.7 GHz	0.070 dB/m	0.352 dB
Attenuation @3.8 GHz	0.086 dB/m	0.423 dB
Attenuation @6 GHz	0.113 dB/m	0.543 dB
Frequency [MHz]	Straight Con. dB (VSWR)	Angle Con. dB (VSWR)
0 - 1000	> 28.0 (≤1.08)	> 28.0 (≤1.08)
>1000 - 1700	> 28.0 (≤1.08)	> 26.4 (≤1.10)
>1700 - 2200	> 28.0 (≤1.08)	> 26.4 (≤1.10)
>2200 - 2700	> 26.4 (≤1.10)	> 24.9 (≤1.12)
>2700 - 3800	> 23.1 (≤1.15)	> 20.8 (≤1.20)
>3800 - 5000	> 20.8 (≤1.20)	> 19.1 (≤1.25)
>5000 - 6000	> 17.7 (≤1.30)	> 17.7 (≤1.30)



MULTIFLEX-L78

CELLFLEX®MULTIFLEX Jumper Assembly with low loss coax, LCF78 feeder

Connector A		Jumper-cable end A		Connector B		Jumper-cable end B		Cable Type		Jacket Type		Length	
7MR		S12		43M		S12		L78		F		0400	
7MR CONNECTOR A		S12 CABLE for jumper end A		43M CONNECTOR B		S12 CABLE for jumper end B		78 Cable Size (LCF)		F JACKET TYPE		0400 CABLE LENGTH*	
7M	7-16 Male	L38	3/8" Low Loss Coax	7M	7-16 Male	L38	3/8" Low Loss Coax	78	LCF78-50	F	JFN Flame Retardant	0100	1 meter
7F	7-16 Female	L12	1/2" Low Loss Coax	7F	7-16 Female	L12	1/2" Low Loss Coax	114	LCFS114-50	J	PE (J)	0200	2 meter
7MR	7-16 Male Right Angle	S14	1/4" Super exible Coax	7MR	7-16 Male Right Angle	S14	1/4" Super exible Coax	158	LCF158-50			0250	2.5 meter
43M	4.3-10 Male	S38	3/8" Super exible Coax	43M	4.3-10 Male	S38	3/8" Super exible Coax					1000	10 meter
43F	4.3-10 Female	S12	1/2" Super exible Coax	43F	4.3-10 Female	S12	1/2" Super exible Coax					1500	15 meter
43MH	4.3-10 Male Handscrew			43MH	4.3-10 Male Handscrew							030	3 feet
43MP	4.3-10 Male Push Pull			43MP	4.3-10 Male Push Pull							060	6 feet
43MR	4.3-10 Male Right Angle			43MR	4.3-10 Male Right Angle							100	10 feet

Modelname nomenclature

External Document Links

Notes