



OMNI FIT™ high performance connectors are designed for use with both CELLFLEX® (copper) and CELLFLEX® Lite (aluminum) cables. They are designed specifically to provide the highest quality connector-cable interface while simplifying and speeding up connector attachment. All RFS Technologies connectors are fully tested for mechanical and electrical compliance to industry specifications.

The N connector is one of the most common RF connector types and meets all requirements even under the most severe environmental conditions.

FEATURES / BENEFITS

- Cost effective two-piece design for safe and easy installation
- Compatible with copper and aluminium cable types i.e. one connector for both outer conductor materials eliminates the risk of faulty connector installation and helps to keep inventory down
- Robust mechanical design for low and consistent intermodulation performance i.e. keeps the mobile network performance up, reduces the number of dropped calls and avoids revenue losses
- Standard electrical performance for consistent and repeatable VSWR i.e. ensure network system performance
- Waterproof to IP 68 i.e. no downtime risk, secures revenue
- RoHS (EU) compliant i.e. can be used on a global basis



OMNI FIT™ Standard Connectors

Technical features

GENERAL SPECIFICATIONS

Transmission Line Type	Coaxial Cable			
Cable Size	1-1/4			
Cable Type	Foam Dielectric	Ultraflexible	Radiating	
Model Series	UCF114-50A	LCFS114-50A	UCF114-50L	LCFS114-50L Series
Connector Interface	N			
Connector Type	OMNI FIT™ Standard			
Sealing Method	O-ring			
Gender	Male			

ELECTRICAL SPECIFICATIONS

Nominal Impedance, ohms	Ohm	50
3rd Order IM Product @ 2x20 Watts	dBc	-159 typical
Maximum Frequency	GHz	3.6
VSWR, Return Loss	VSWR (dB)	0 < f ≤ 1.0 GHz: 1.03 (36.6) 1.0 < f ≤ 2.7 GHz: 1.04 (34.1) 2.7 < f ≤ 3.7 GHz: 1.08 (28.3)

MECHANICAL SPECIFICATIONS

Plating Outer/Inner	Trimetal/Silver	
Length	mm (in)	75.7 (2.98)
Outer Diameter	mm (in)	48.8 (1.92)
Inner Contact Attachment	Spring Finger	
Outer Contact Attachment	Spring C-Ring	

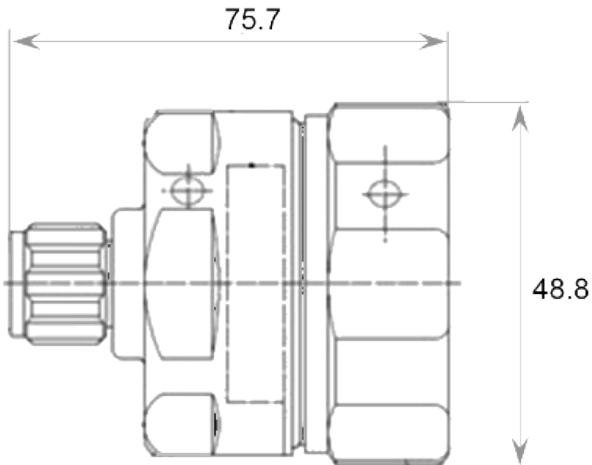


ACCESSORIES

Wrench size front	mm (in)	Open end wrench 45 (1-3/4)
Wrench size rear	mm (in)	Open end wrench 45 (1-3/4)
Poly Hook Spanner	mm (in)	PHS 60-90-5 Ø 60-90 (2.3-3.5) Pin 5 (0.2)
Trimming Tool		TRIM-SET-L114-C02

TESTING AND ENVIRONMENTAL

Waterproof Level		IP68
-------------------------	--	------



[External Document Links](#)
[Application Note](#)
[Installation Instruction](#)

[Notes](#)