

**P4-BB4L20-NB, -NBN, -SB, -SBN**

12-Ports, X-Pol, Panel Antenna, 2.0m, 2x694-960/4x1695-2690MHz, 65deg, Integrated RET, Site Sharing Optional



**FEATURES / BENEFITS**

- 4 ports / 2 cross pol systems in low band (694-960MHz)
- 8 ports / 4 cross pol systems in high band (1695-2690MHz)
- Integrated and field replaceable SRET
- Optional with Site Sharing feature (Model name Suffix -SB, -SBN)
- Optional with Direct Pipe no tilt mounting hardware (Model name Suffix -NBN, -SBN)
- Compliant with AISG V2.0 and 3GPP

**Technical features**

**ELECTRICAL SPECIFICATIONS**

Electrical Specification Header		Low Band Array (694-960 MHz) [R1/R2]		
Frequency Band	MHz	694 - 806	790 - 896	870 - 960
Gain Typical	dBi	15.6	15.7	15.9
Gain Over all Tilts	dBi	15.2+/-0.4	15.4+/-0.3	15.5+/-0.4
Azimuth Beamwidth 3dB	Deg	62.7+/-4.4	64.3+/-4.5	64.7+/-4.6
Elevation Beamwidth 3dB	Deg	12.5+/-0.8	11.3+/-0.7	10.4+/-0.7
Cross Polar Discrimination at Boresight	dB	24.4	22.5	22.0
F/B at +/-30deg Total Power	dB	19.2	19.9	22.1
First Upper Side Lobe Suppression	dB	19.9	19.9	19.2
Electrical Downtilt	Deg	2 to 12		
Cross Polar Isolation	dB	25		
Interband Isolation	dB	25		
VSWR	-	1.5		
Passive Intermodulation (3rd Order, 2 x 43dBm)	dBc	-150		
Maximum Effective Power per Port	Watt	350		

PRODUCT DATASHEET

**P4-BB4L20-NB, -NBN, -SB, -SBN**

12-Ports, X-Pol, Panel Antenna, 2.0m, 2x694-960/4x1695-2690MHz, 65deg, Integrated RET, Site Sharing Optional



**ELECTRICAL SPECIFICATIONS**

Electrical Specification Header		High Band Array (1695-2690 MHz) [Y1/Y2/Y3/Y4]			
Frequency Band	MHz	1695-1880	1850-1990	1920-2170	2490-2690
Gain Typical	dBi	17.9	18.1	18.4	18.0
Gain Over all Tilts	dBi	17.3+/-0.6	17.4+/-0.7	17.6+/-0.8	17.3+/-0.7
Azimuth Beamwidth 3dB	Deg	69.6+/-7.4	67.1+/- 6.3	68.0+/-6.3	58.3+/-6.8
Elevation Beamwidth 3dB	Deg	6.5+/-0.4	6.1+/-0.4	5.9+/-0.5	4.9+/-0.3
Cross Polar Discrimination at Boresight	dB	23.0	22.7	19.5	17.9
F/B at +/-30deg Total Power	dB	23.4	22.8	23.1	22.3
First Upper Side Lobe Suppression	dB	16.0	17.3	18.3	14.6
Electrical Downtilt	Deg	2 to 12			
Cross Polar Isolation	dB	25			
Interband Isolation	dB	26			
VSWR	-	1.5			
Passive Intermodulation (3rd Order, 2 x 43dBm)	dBc	-150			
Maximum Effective Power per Port	Watt	250			

**ELECTRICAL SPECIFICATIONS**

Impedance	Ohm	50
Polarization	Deg	±45°

**MECHANICAL SPECIFICATIONS**

Dimensions - H x W x D	mm (in)	2000 x 499 x 215 (78.7 x 19.6 x 8.5)
Weight (Antenna Only)	kg (lb)	34.3 (75.6)
Packing size- HxWxD	mm (in)	2285 x 570 x 295 (89.9 x 22.4 x 11.6)
Connector type		12 x 4.3-10 female/bottom + 2x AISG connectors (1 male, 1 female), (Site Sharing) 4x AISG connectors (2 male, 1 female)
Radome Material / Color		Fiberglass / Light Grey RAL7035

**TESTING AND ENVIRONMENTAL**

Temperature Range	°C (°F)	-40 to 60 (-40 to 140)
Lightning protection		Direct Ground
Survival/Rated Wind Velocity	km/h	200 (150)
Wind Load @Rated Wind Front	N	617
Wind Load @Rated Wind Side	N	576
Wind Load @Rated Wind Rear	N	797

PRODUCT DATASHEET

**P4-BB4L20-NB, -NBN, -SB, -SBN**

12-Ports, X-Pol, Panel Antenna, 2.0m, 2x694-960/4x1695-2690MHz, 65deg, Integrated RET, Site Sharing Optional



**ORDERING INFORMATION**

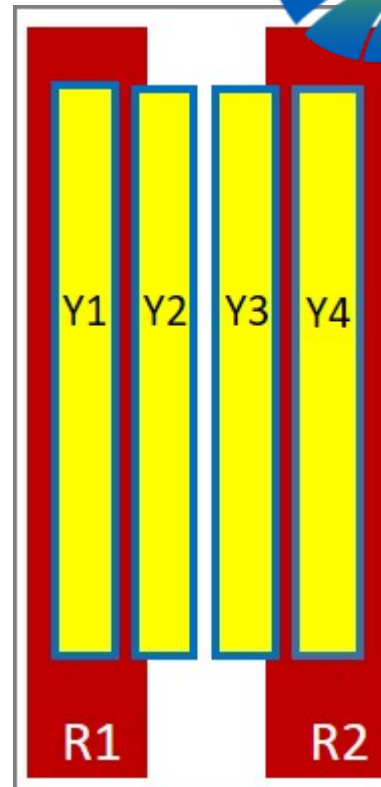
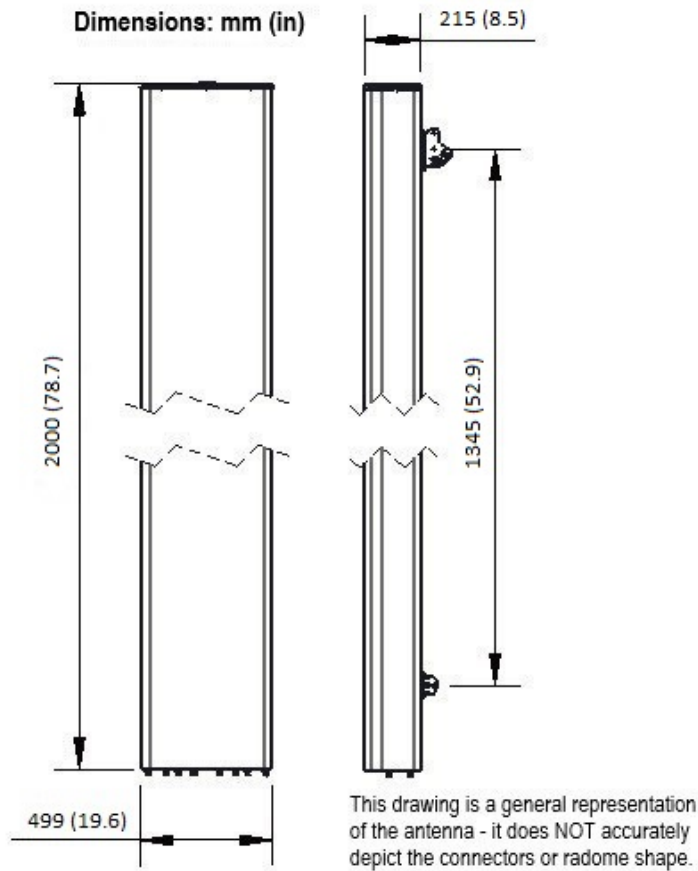
Order No.	Configuration	Mounting Hardware	Mounting Pipe Diameter	Shipping Weight kg(lb)	Mounting Hardware Weight kg(lb)
<b>P4-BB4L20-NB</b>	Internal RET (ACU-I20-B6)	APM50-B1	50-110mm	43.9 (96.8)	4.5 (9.9)
<b>P4-BB4L20-NBN</b>	Internal RET (ACU-I20-B6)	APM50-B1N (Direct Pipe no tilt)	50-110mm	42.8 (94.3)	3.4 (7.5)
<b>P4-BB4L20-SB</b>	Internal Site Sharing RET (ACU-X20-B6)	APM50-B1	50-110mm	43.9 (96.8)	4.5 (9.9)
<b>P4-BB4L20-SBN</b>	Internal Site Sharing RET (ACU-X20-B6)	APM50-B1N (Direct Pipe no tilt)	50-110mm	42.8 (94.3)	3.4 (7.5)



PRODUCT DATASHEET

P4-BB4L20-NB, -NBN, -SB, -SBN

12-Ports, X-Pol, Panel Antenna, 2.0m, 2x694-960/4x1695-2690MHz, 65deg, Integrated RET, Site Sharing Optional



External Document Links

Notes

- All electrical parameters are compliant with BASTA NGMN requirements.
- For additional mounting information please click "External Document Links".
- This datasheet is provisional and subject to changes.

• **Radiating patterns:** [Request pattern files](#)