



This PDS\*E series are Power Splitters, designed to evenly split high power cellular signals with minimal reflections or loss. They are specified to cover 698- 3800 MHz. The wide frequency ranges of these models allow use with multiband antennas and leaky cable systems. With few solder joints and an air dielectric, the loss is minimal and reliability enhanced.



**FEATURES / BENEFITS**

- **Multiple-Band Frequency Ranges**
- **200 Watt Power Rating**
- **High Reliability**
- **Low Cost Design for Outdoor Application**
- **Low Specified PIM**
- **N-female Connectors**

**Technical features**

**STRUCTURE**

|                        |  |               |
|------------------------|--|---------------|
| Product Type           |  | Power Divider |
| Techn. Application     |  | Indoor        |
| Number of Input Ports  |  | 1             |
| Number of Output Ports |  | 2             |
| Connectors             |  | N-female      |

**ELECTRICAL SPECIFICATIONS**

|                             |         |                              |
|-----------------------------|---------|------------------------------|
| Frequency Range             | MHz     | 694 - 3800                   |
| Impedance                   | Ohm     | 50                           |
| Max. VSWR / Return Loss, dB | VSWR/dB | 1.25 / 19.1                  |
| Split Loss                  | dB      | 3.3                          |
| Max Ripple                  | dB      | 0.3                          |
| Intermodulation (IM3)       |         | -155 dBc with 2x43 dBm tones |
| Total Input Power           | W       | 200                          |

**TEMPERATURE SPECIFICATIONS**

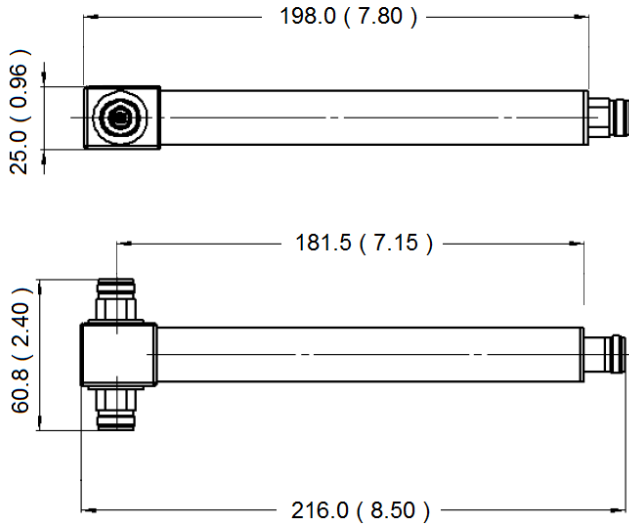
|                   |         |                          |
|-------------------|---------|--------------------------|
| Temperature Range | °C (°F) | -25 to +65 (-13 to +149) |
|-------------------|---------|--------------------------|

**MECHANICAL SPECIFICATIONS**

|                          |         |           |
|--------------------------|---------|-----------|
| Height (Less Connectors) | mm (in) | 25 (0.98) |
| Width (Less Connectors)  | mm (in) | 25 (0.98) |
| Length (Less Connectors) | mm (in) | 198 (7.8) |

**TESTING AND ENVIRONMENTAL**

|                     |  |      |
|---------------------|--|------|
| Environmental Class |  | IP65 |
|---------------------|--|------|



Dimensions mm(inch)

External Document Links

Notes

- Mounting Hardware not included