



This PDS*DE series are Power Splitters, designed to evenly split high power cellular signals with minimal reflections or loss. They are specified to cover 380- 2700 MHz. The wide frequency range allows to use these splitters for multiband wireless Distributed Antenna Systems (DAS) or in combination with RADIAFLEX® radiating cable products. With few solder joints and an air dielectric, the loss is minimal and reliability enhanced.

FEATURES / BENEFITS

- **Multiple-Band Frequency Ranges**
- **500 Watt Power Rating**
- **High Reliability**
- **Low Cost Design for ease of mounting**
- **7-16 DIN-female Connectors**

Technical features

STRUCTURE

Product Type		Power Divider
Techn. Application		Indoor
Number of Input Ports		1
Number of Output Ports		4
Connectors		7-16 female

ELECTRICAL SPECIFICATIONS

Frequency Range	MHz	380 - 2700
Impedance	Ohm	50
Max. Insertion Loss	dB	6.5
Max. VSWR / Return Loss, dB	VSWR/dB	1.3 / 17.7
Intermodulation (IM3)		-150 dBc with 2x43 dBm tones
Total Input Power	W	500
RF Peak Power	kW	1000

TEMPERATURE SPECIFICATIONS

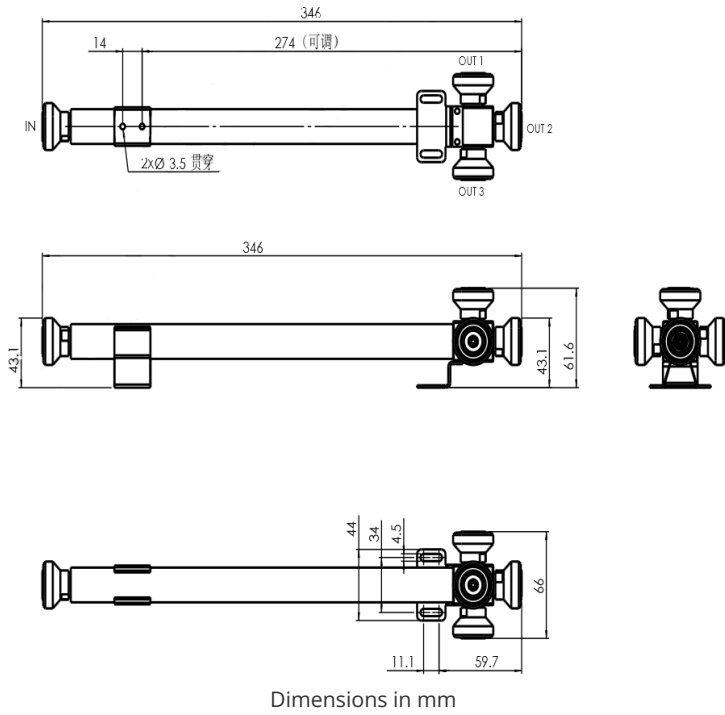
Temperature Range	°C (°F)	-25 to +65 (-13 to +149)
-------------------	---------	--------------------------

MECHANICAL SPECIFICATIONS

Height (Less Connectors)	mm (in)	61.6 (2.43)
Width (Less Connectors)	mm (in)	66 (2.6)
Length (Less Connectors)	mm (in)	346 (13.6)

TESTING AND ENVIRONMENTAL

Environmental Class		IP65
---------------------	--	------



External Document Links

Notes