



The RSB -Clip round collar has been especially designed for quick installation of HF cables using high flexible stainless steel.

FEATURES / BENEFITS

The cables will be secured by a manually easy to reopen grid system.

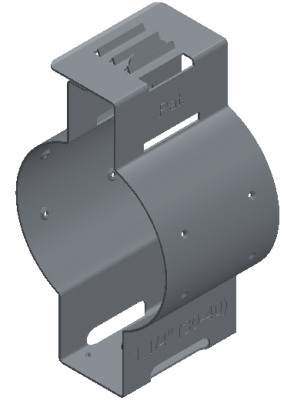
The base has been formed giving optimal and stable support for various surfaces.

Furthermore the RSB-Clip round collar can be installed using standard fastening devices on walls and profiles.

Two lateral slots along the lower base will allow the use of steel straps for mounting on masts with any diameter.

The progressive ratcheting of the locking system will easily allow for all clamp sizes the adjustment for different cable & tube diameters.

The locking is in any case easy, secure and long-living.



Technical features

GENERAL SPECIFICATIONS

Product Type		Hanger
Hanger Type		RSB-Clip
Transmission Line Type		LCFS114, RLK*114, RAY114, RCF114
Cable Type		Coaxial- and Radiating Cable Accessories

MECHANICAL SPECIFICATIONS

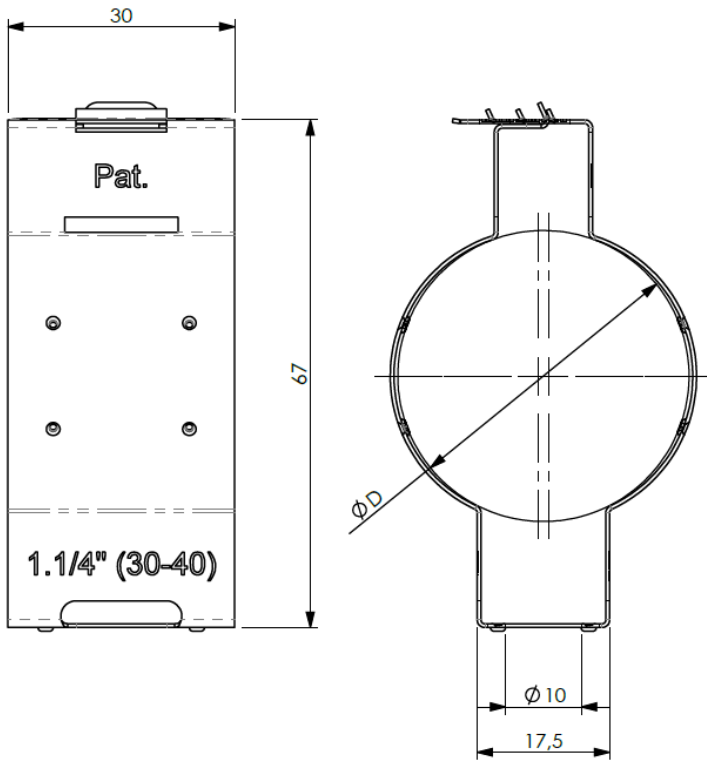
Cable Size		1-1/4 (30-40mm)
Number of Cable / Waveguide Runs		1
Material		Stainless Steel
Mounting Screw		M8 (not included)
Drill Hole Size	mm (in)	10 (0.394)

TEMPERATURE SPECIFICATIONS

Installation Temperature	°C (°F)	-50 to 85 (-58 to 185)
Operation Temperature	°C (°F)	-50 to 85 (-58 to 185)
Storage Temperature	°C (°F)	-50 to 85 (-58 to 185)

PACKAGING INFORMATION

Package Quantity		10
Weight per piece	kg (lb)	0.0221 (0.049)



External Document Links

Notes

RSB-114-IT cannot be used in combination with RSB-310 and RSB-315.