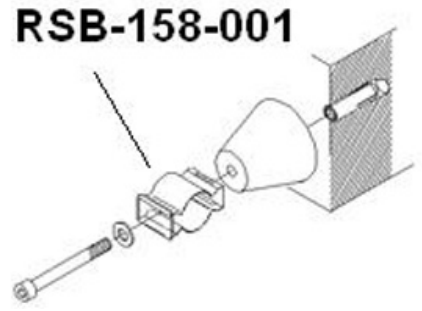




In the impact of a fire in a tunnel the cable should remain functional as long as possible. Special fire resistant clamp type has been developed for keeping the RADIAFLEX® cable attached as long as possible onto the wall. It also prevents the cable from detaching from the wall that might block any escape route. Fire resistant clips (RSB clips) are made of metal and fixed with screws to the wall using metal plugs. In case of fire the round base will melt. But the fixation will hold the cable in position and enables the cable to keep in operation as long as the cable itself allows. The recommended spacing is 8 to 10 m (26 to 33 ft) for both kinds of installation.



FEATURES / BENEFITS

- Fire protection installation
- Keeps the RADIAFLEX® cable in position during fire impact
- Stainless steel
- Tool-2 for installation, should be used with metal plug and round base, for RCF 158-50

Technical features

GENERAL SPECIFICATIONS

Product Line		Radiating Cable Accessories
Product Type		Hanger
Hanger Type		RSB clip for 1 5/8" RLF, RLK, RLV, RAY
Transmission Line Type		RLF*158 RLK*158 RAY*158 RLV*158
Cable Type		Radiating Cable

MECHANICAL SPECIFICATIONS

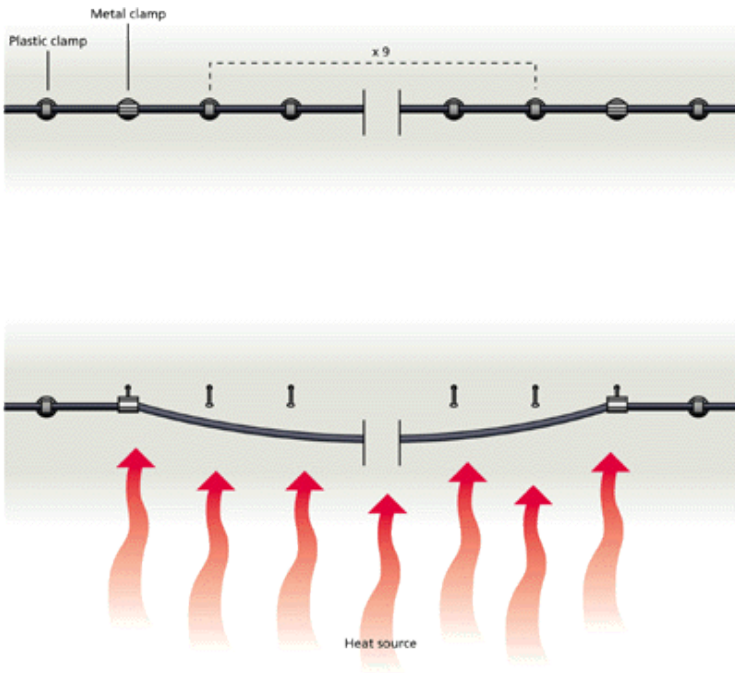
Cable Size		1-5/8
Number of Cable / Waveguide Runs		1
Material		Stainless Steel
Drill Hole Size	mm (in)	8 (0.315)

TEMPERATURE SPECIFICATIONS

Installation Temperature	°C (°F)	-50 to 85 (-58 to 185)
Operation Temperature	°C (°F)	-50 to 85 (-58 to 185)
Storage Temperature	°C (°F)	-50 to 85 (-58 to 185)

PACKAGING INFORMATION

Package Quantity		10
-------------------------	--	----



External Document Links

Notes