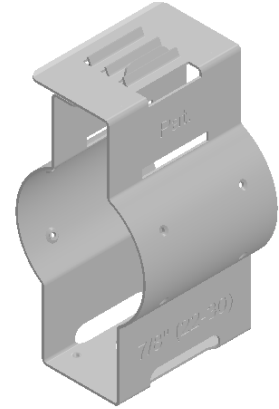




The RSB -Clip round collar has been especially designed for quick installation of HF cables using high flexible stainless steel.

**FEATURES / BENEFITS**

- The cables will be secured by a manually easy to reopen grid system.
- The base has been formed giving optimal and stable support for various surfaces.
- Furthermore the RSB-Clip round collar can be installed using standard fastening devices on walls and profiles.
- Two lateral slots along the lower base will allow the use of steel straps for mounting on masts with any diameter.
- The progressive ratcheting of the locking system will easily allow for all clamp sizes the adjustment for different cable & tube diameters.
- The locking is in any case easy, secure and long-living.



**Technical features**

**GENERAL SPECIFICATIONS**

Product Type		Hanger
Hanger Type		RSB-Clip
Transmission Line Type		LCF78, HCA78, RLK*78, RAY78, RCF78
Cable Type		Coaxial-, Radiating- and Air Dielectric Cable Accessories

**MECHANICAL SPECIFICATIONS**

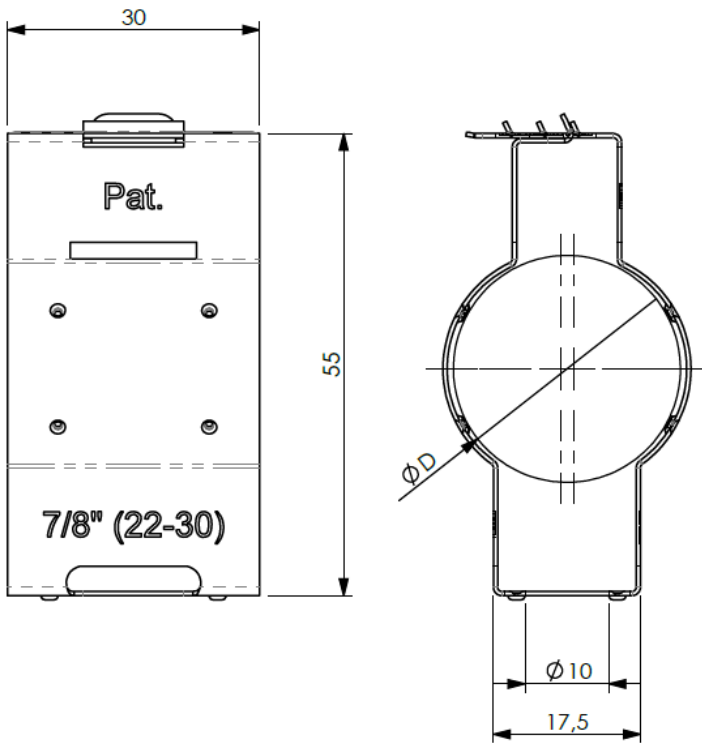
Cable Size		7/8 (22-30mm)
Number of Cable / Waveguide Runs		1
Material		Stainless Steel
Mounting Screw		M8 (not included)
Drill Hole Size	mm (in)	10 (0.394)

**TEMPERATURE SPECIFICATIONS**

Installation Temperature	°C (°F)	-50 to 85 (-58 to 185 )
Operation Temperature	°C (°F)	-50 to 85 (-58 to 185 )
Storage Temperature	°C (°F)	-50 to 85 (-58 to 185 )

**PACKAGING INFORMATION**

Package Quantity		10
Weight per piece	kg (lb)	0.018 (0.04)



**External Document Links**

**Notes**

RSB-78-IT cannot be used in combination with RSB-310, RSB-315, and RSB-78-R.