



In the impact of a fire in a tunnel the cable should remain functional as long as possible. Special fire resistant clamp type has been developed for keeping the RADIAFLEX® cable attached as long as possible onto the wall. It also prevents the cable from detaching from the wall that might block any escape route. Fire resistant clips (RSB clips) are made of metal and fixed with screws to the wall using metal plugs. In case of fire the round base will melt. But the fixation will hold the cable in position and enables the cable to keep in operation as long as the cable itself allows. The recommended spacing is 8 to 10 m (26 to 33 ft) for both kinds of installation. The hole of the round base must be drilled to 8.5 mm (0.335 in) before mounting the screw.



FEATURES / BENEFITS

Stainless steel, A4, for RSB clip with round base RB 80-4

Technical features

STRUCTURE

Table with 3 columns: Property, Value, and Unit. Rows include Product Line (Radiating Cable Accessories), Product Type (Installation Hardware), Installation Hardware Type (Screw), Transmission Line Type (RADIAFLEX® cable with copper foil as outer conductor, all sizes, cable type RLK, RLV and RAY), Coaxial Cable Type (Radiating Cable), Cable Size (1/2", 7/8", 1- 1/4", 1-5/8"), and Configuration (Screw for RSB clip).

MECHANICAL SPECIFICATIONS

Table with 3 columns: Property, Value, and Unit. Rows include Angle member adppter threads (M8), Material (Stainless Steel, A4), Thread (M8), and Length (95 (3.74)).

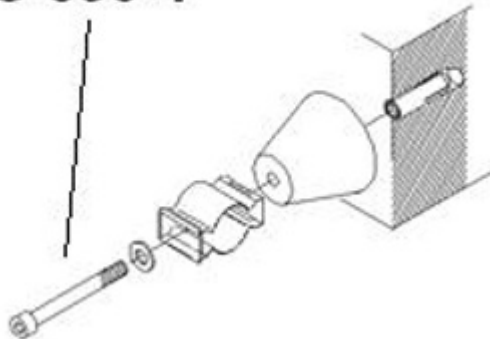
TEMPERATURE SPECIFICATIONS

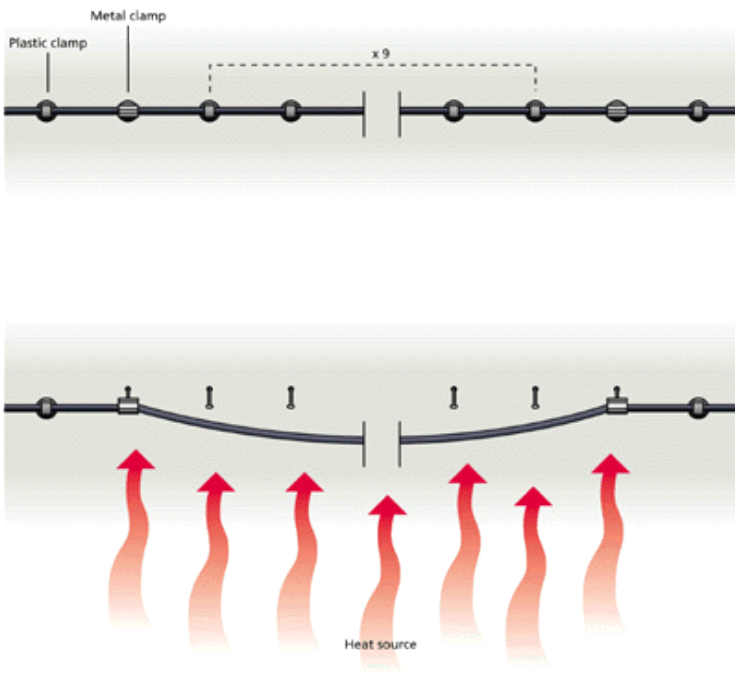
Table with 3 columns: Property, Value, and Unit. Rows include Installation Temperature, Operation Temperature, and Storage Temperature, all ranging from -50 to 85 (-58 to 185).

PACKAGING INFORMATION

Table with 3 columns: Property, Value, and Unit. Row includes Package Quantity (100).

S-895-1





External Document Links

Notes