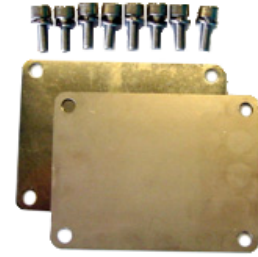




# SEM2-3

## Assembly Kit

Contains: 2 Mounting Plates, 8 Screws & 8 Washers;;Assembly kit included with filter, see filter installation for assembly instructions;;Assembly kit used to mount filters including but not limited to:



SEM2-3

- KIT-FD9R6004/XC-DL
- KIT-FDRL3502/XC-DL
- KIT-FD9L4502/XC-DL
- KIT-FDAP5002/XC-DL
- KIT-FIMH877N-1C-DL
- KIT-FIMH887N-1C-DL
- KIT-FDA3P5002-XC-DL
- KIT-FDA3P5002-1A20-DL
- KIT-FT9DW/XC-DL

Note: X to be 1, 2, 3, or 5 as applicable;

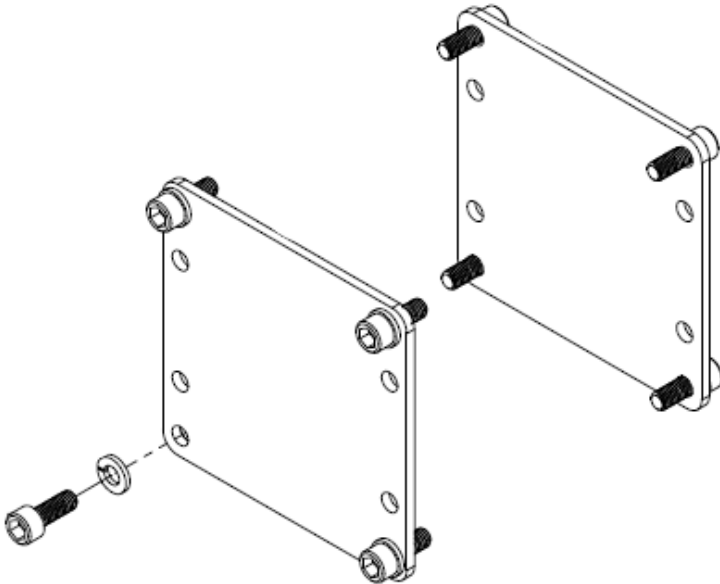
### FEATURES / BENEFITS

- Easy and quick installation

## Technical features

### GENERAL SPECIFICATIONS

Product Type		Mounting Hardware
Configuration		Assembly kit



[External Document Links](#)

[Notes](#)