



Clic Clamp, 7/8" RADIAFLEX polyamide black, halogen free
fire class UL94HB

FEATURES / BENEFITS

Safe and efficient installation of RADIAFLEX® cable with clic-clamps. Simple mounting by using wall plugs and screws. Simply push in by hand, clamp will grip and lock by applying slight pressure.



Technical features

GENERAL SPECIFICATIONS

Product Line		Radiating Cable Accessories
Product Type		Hanger
Hanger Type		SFS clamp
Transmission Line Type		RLF* RLK* RAY*78-50*A RCF78-50*A
Cable Type		Radiating Cable
Color		Black

MECHANICAL SPECIFICATIONS

Cable Size		7/8
Number of Cable / Waveguide Runs		1
Material		Polyamide

TESTING AND ENVIRONMENTAL

Fire Class		UL94 HB
------------	--	---------

TEMPERATURE SPECIFICATIONS

Installation Temperature	°C (°F)	-20 to 80 (-4 to 176)
Operation Temperature	°C (°F)	-50 to 85 (-58 to 185)
Storage Temperature	°C (°F)	-50 to 85 (-58 to 185)

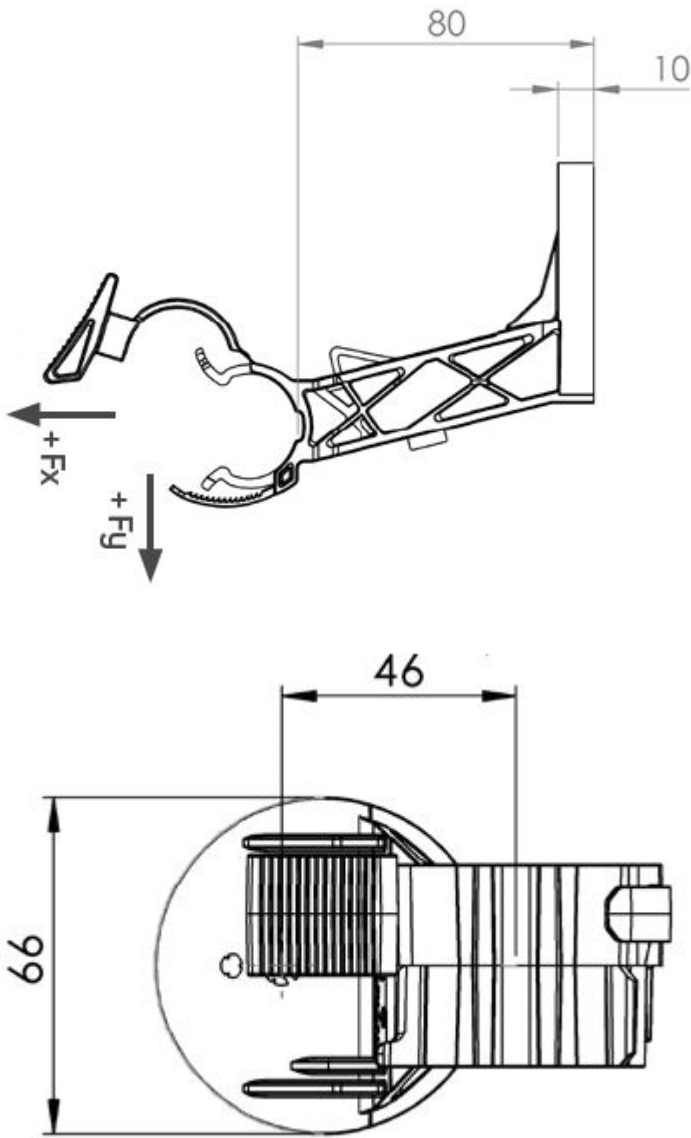
PACKAGING INFORMATION

Package Quantity		150
------------------	--	-----



SFS-78-01

SFS clamp for RADIAFLEX® 7/8"



External Document Links

Notes