



The TER\*3800MHz Series are coaxial loads which operate from DC up to 3.8 GHz. The products are ideally suited for termination of unused ports in distributed antenna systems or in RADIAFLEX® radiating cables systems.



FEATURES / BENEFITS

- Ideal for all kind of DAS applications
- Finned termination for heat dissipation
- Low VSWR

### Technical features

#### GENERAL SPECIFICATIONS

|                    |  |        |
|--------------------|--|--------|
| Product Type       |  | Load   |
| Techn. Application |  | Indoor |

#### ELECTRICAL SPECIFICATIONS

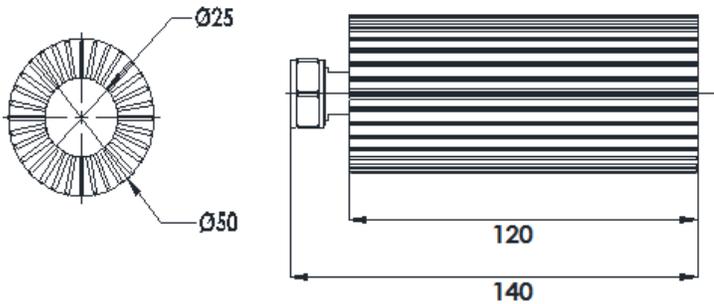
|                             |         |          |
|-----------------------------|---------|----------|
| Frequency Range             | MHz     | DC-3.800 |
| Impedance                   | Ohm     | 50       |
| Max. VSWR / Return Loss, dB | VSWR/dB | /19      |
| Total Input Power           | W       | 20       |

#### MECHANICAL SPECIFICATIONS

|                      |         |             |
|----------------------|---------|-------------|
| Input Connector Type |         | 4.3-10 male |
| Diameter             | mm (in) | 50 (1.97)   |
| Length               | mm (in) | 140 (5.51)  |

#### TEMPERATURE SPECIFICATIONS

|                     |         |                        |
|---------------------|---------|------------------------|
| Temperature Range   | °C (°F) | -25 to 65 (-13 to 149) |
| Environmental Class |         | Indoor                 |



External Document Links

Notes