



The TER Series are coaxial loads which operate from DC up to 3.8 GHz. The products are ideally suited for termination of unused ports in distributed antenna systems or in RADIAFLEX® radiating cables systems.

**FEATURES / BENEFITS**

- Ideal for all kind of DAS applications
- Finned termination for optimized heat dissipation
- Low VSWR

**Technical features**

**GENERAL SPECIFICATIONS**

Product Type		Load
Techn. Application		Indoor

**ELECTRICAL SPECIFICATIONS**

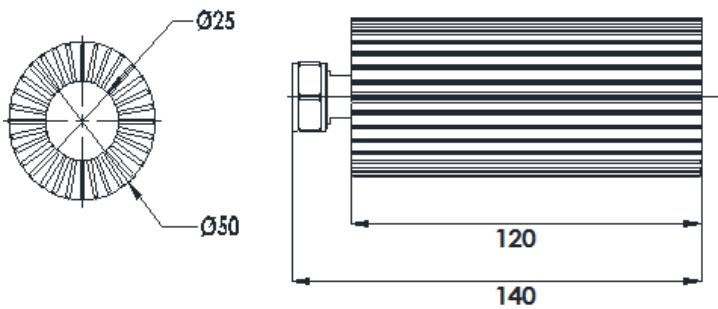
Frequency Range	MHz	DC-3.800
Impedance	Ohm	50
Max. VSWR / Return Loss, dB	VSWR/dB	/19
Total Input Power	W	30

**MECHANICAL SPECIFICATIONS**

Input Connector Type		4.3-10 male
Diameter	mm (in)	50 (1.97)
Length	mm (in)	140 (5.5)

**TEMPERATURE SPECIFICATIONS**

Temperature Range	°C (°F)	-25 to 65 (-13 to 149)
Environmental Class		Indoor



[External Document Links](#)

[Notes](#)