



RFS Technologies TPS\* Tapper product family has been designed to support a variety of wireless applications in the frequency band from 555 to 6000MHz. The units couple off a defined fraction of a RF signal from typically 3 to 30 dB with minimal reflections or loss. The broad frequency range is ideally suited for 3G / 4G / 5G multi-band distributed antenna systems or in combination with RADIAFLEX® radiating cables. Notably, these products feature a low level of network interferences due to their PIM optimized desing.

**FEATURES / BENEFITS**

- Split ratio 10:1 / 10dB
- 4.3-10-female interfaces
- PIM optimized design (160dBc @2x43dBm)
- Low insertion loss
- High power handling
- Small size, Low weight



TPS10-43-555/6000 (similar product illustration)

**Technical features**

**STRUCTURE**

|                        |  |                        |
|------------------------|--|------------------------|
| Product Type           |  | Unequal Divider/Tapper |
| Techn. Application     |  | Indoor/Outdoor         |
| Number of Input Ports  |  | 1                      |
| Number of Output Ports |  | 2                      |

**ELECTRICAL SPECIFICATIONS**

|                         |         |                  |
|-------------------------|---------|------------------|
| Frequency Range         | MHz     | 555 - 6000       |
| Connector Type          |         | 4.3-10 female    |
| Max. VSWR / Return Loss | VSWR/dB | 1.30/17.7 (1.3)  |
| Insertion Loss max.     | dB      | 0.8              |
| Coupling Value          | dB      | 10.5             |
| Coupling Flatness max.  | dB      | +1.0 / -2.5      |
| Intermodulation (IM3)   |         | 160dBc (2x43dBm) |
| Impedance               | Ohm     | 50               |
| Total Input Power       | W       | 300              |

**TEMPERATURE SPECIFICATIONS**

|                   |         |                          |
|-------------------|---------|--------------------------|
| Temperature Range | °C (°F) | -25 to +65 (-13 to +149) |
|-------------------|---------|--------------------------|

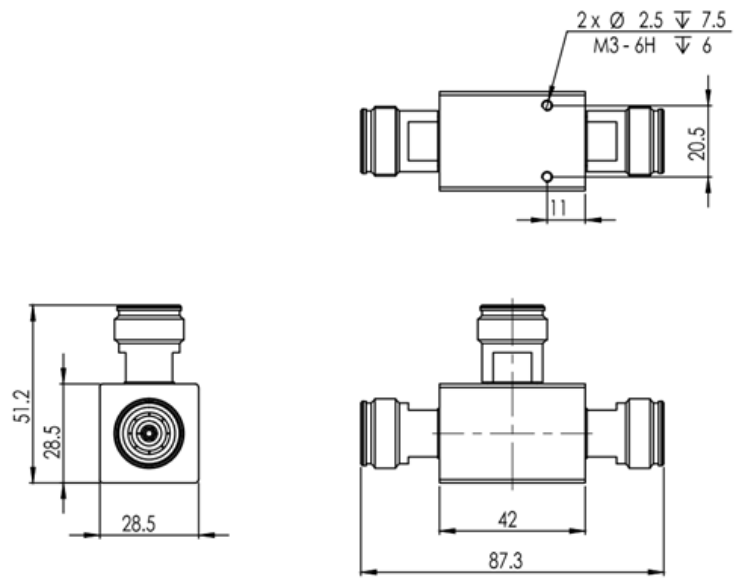
**MECHANICAL SPECIFICATIONS**

|        |         |             |
|--------|---------|-------------|
| Height | mm (in) | 51.2 (2.02) |
| Width  | mm (in) | 28.5 (1.12) |
| Length | mm (in) | 87.3 (3.44) |



**TESTING AND ENVIRONMENTAL**

|                            |  |      |
|----------------------------|--|------|
| <b>Environmental Class</b> |  | IP65 |
|----------------------------|--|------|



TPS10-43-555\_6000\_Drawing

External Document Links

[Link to VEX Zip file](#)

Notes