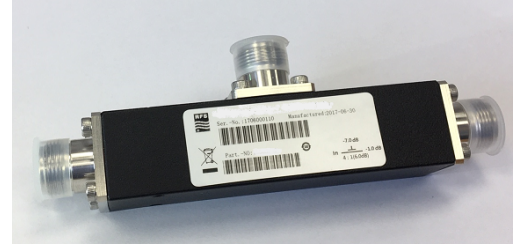




RFS Technologies TPS* Tapper product family has been designed to support a variety of wireless applications in the frequency band from 555 to 6000MHz. The units couple off a defined fraction of a RF signal from typically 3 to 30 dB with minimal reflections or loss. The broad frequency range is ideally suited for 3G / 4G / 5G multi-band distributed antenna systems or in combination with RADIAFLEX® radiating cables. Notably, these products feature a low level of network interferences due to their PIM optimized desing.

FEATURES / BENEFITS

- Split ratio 100:1 / 20dB
- 4.3-10-female interfaces
- PIM optimized design (160dBc @2x43dBm)
- Low insertion loss
- High power handling
- Small size, Low weight



TPS20-43-555/6000 (similar product illustration)

Technical features

STRUCTURE

| | | |
|------------------------|--|------------------------|
| Product Type | | Unequal Divider/Tapper |
| Techn. Application | | Indoor/Outdoor |
| Number of Input Ports | | 1 |
| Number of Output Ports | | 2 |

ELECTRICAL SPECIFICATIONS

| | | |
|-------------------------|---------|------------------|
| Frequency Range | MHz | 555 - 6000 |
| Connector Type | | 4.3-10 female |
| Max. VSWR / Return Loss | VSWR/dB | 1.30/17.7 (1.3) |
| Insertion Loss max. | dB | 0.6 |
| Coupling Value | dB | 20.1 |
| Coupling Flatness max. | dB | +2.5 / -2.5 |
| Intermodulation (IM3) | | 160dBc (2x43dBm) |
| Impedance | Ohm | 50 |
| Total Input Power | W | 300 |

TEMPERATURE SPECIFICATIONS

| | | |
|-------------------|---------|--------------------------|
| Temperature Range | °C (°F) | -25 to +65 (-13 to +149) |
|-------------------|---------|--------------------------|

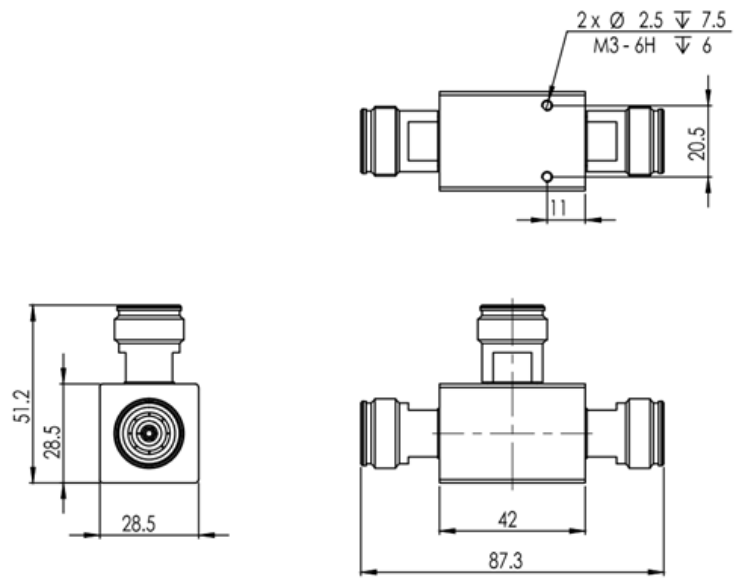
MECHANICAL SPECIFICATIONS

| | | |
|--------|---------|-------------|
| Height | mm (in) | 51.2 (2.02) |
| Width | mm (in) | 28.5 (1.12) |
| Length | mm (in) | 87.3 (3.44) |



TESTING AND ENVIRONMENTAL

| | | |
|----------------------------|--|------|
| Environmental Class | | IP65 |
|----------------------------|--|------|



TPS20-43-555_6000_Drawing

External Document Links

[Link to VEX Zip file](#)

Notes