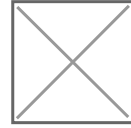




RFS Technologies TPS\* series of Tappers unevenly split high power cellular signals in fixed ratios from 30:1 to 2:1 with minimal reflections or loss over the wireless bands in the range 350 - 2700 MHz.

The innovative asymmetric design ensures an excellent input VSWR and coupling flatness across the band. The lightweight design allows easy attachment to a wall.

Designed with only a few solder joints and an air dielectric, loss is minimized and reliability enhanced.



**FEATURES / BENEFITS**

- **Splits in ratio 2:1**
- **Small size and weight**
- **200 Watt average power rating**
- **Minimal RF insertion loss**
- **High reliability**
- **N-female connectors**
- **Low PIM**

**Technical features**

**STRUCTURE**

<b>Product Type</b>		Unequal Divider/Tapper
<b>Techn. Application</b>		Indoor
<b>Number of Input Ports</b>		1
<b>Number of Output Ports</b>		2

**ELECTRICAL SPECIFICATIONS**

<b>Frequency Range</b>	<b>MHz</b>	350 - 960 1710 - 2700
<b>Connector Type</b>		N female
<b>Max. VSWR / Return Loss</b>	<b>VSWR/dB</b>	1.40/15.4 (1.4)
<b>Insertion Loss max.</b>	<b>dB</b>	1.8
<b>Coupling Value</b>	<b>dB</b>	4.8
<b>Coupling Flatness max.</b>	<b>dB</b>	+0.5/-0.8
<b>Intermodulation (IM3)</b>		150 dBc with 2x20 W tones
<b>Impedance</b>	Ohm	50
<b>Input Power (Splitter mode) avg.</b>	W	200

**TEMPERATURE SPECIFICATIONS**

<b>Temperature Range</b>	°C (°F)	-10 to +55 (14 to +131)
--------------------------	---------	-------------------------

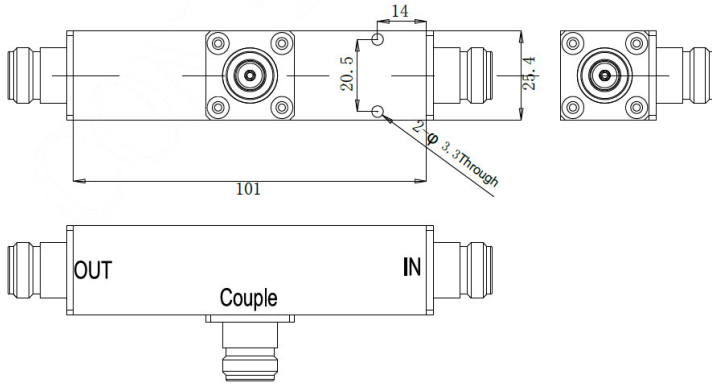


**MECHANICAL SPECIFICATIONS**

<b>Height</b>	mm (in)	101 (3.98)
<b>Width</b>	mm (in)	25 (0.98)
<b>Length</b>	mm (in)	25 (0.98)

**TESTING AND ENVIRONMENTAL**

<b>Environmental Class</b>		IP65
----------------------------	--	------



Dimensions in mm

[External Document Links](#)

[Notes](#)