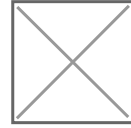




RFS Technologies TPS* series of Tappers unevenly split high power cellular signals in fixed ratios from 30:1 to 2:1 with minimal reflections or loss over the wireless bands in the range 350 - 2700 MHz.

The innovative asymmetric design ensures an excellent input VSWR and coupling flatness across the band. The lightweight design allows easy attachment to a wall.

Designed with only a few solder joints and an air dielectric, loss is minimized and reliability enhanced.



FEATURES / BENEFITS

- Splits in ratio 4:1
- Small size and weight
- 200 Watt average power rating
- Minimal RF insertion loss
- High reliability
- N-female connectors
- Low PIM

Technical features

STRUCTURE

| | | |
|------------------------|--|------------------------|
| Product Type | | Unequal Divider/Tapper |
| Techn. Application | | Indoor |
| Number of Input Ports | | 1 |
| Number of Output Ports | | 2 |

ELECTRICAL SPECIFICATIONS

| | | |
|-------------------------|---------|---------------------------|
| Frequency Range | MHz | 350 - 960 1710 - 2700 |
| Connector Type | | N female |
| Max. VSWR / Return Loss | VSWR/dB | 1.30/17.7 (1.3) |
| Insertion Loss max. | dB | 1 |
| Coupling Value | dB | 7 |
| Coupling Flatness max. | dB | ±1.0 |
| Intermodulation (IM3) | | 150 dBc with 2x20 W tones |

| | | |
|----------------------------------|-----|-----|
| Impedance | Ohm | 50 |
| Input Power (Splitter mode) avg. | W | 200 |

TEMPERATURE SPECIFICATIONS

| | | |
|-------------------|---------|-------------------------|
| Temperature Range | °C (°F) | -10 to +55 (14 to +131) |
|-------------------|---------|-------------------------|

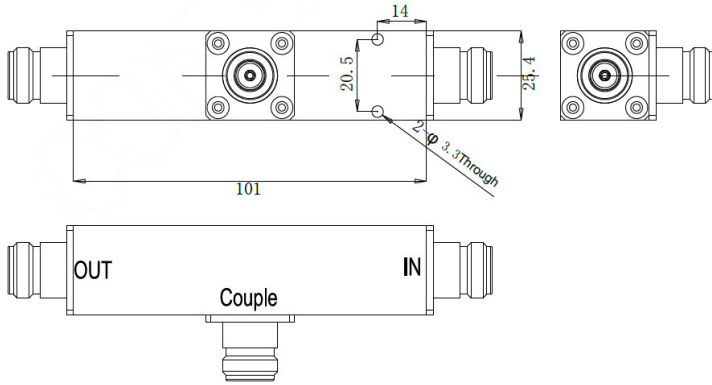


MECHANICAL SPECIFICATIONS

| | | |
|---------------|---------|------------|
| Height | mm (in) | 101 (3.98) |
| Width | mm (in) | 25 (0.98) |
| Length | mm (in) | 25 (0.98) |

TESTING AND ENVIRONMENTAL

| | | |
|----------------------------|--|------|
| Environmental Class | | IP65 |
|----------------------------|--|------|



Dimensions in mm

[External Document Links](#)

[Notes](#)