



RFS Technologies TPS\* Tapper product family has been designed to support a variety of wireless applications in the frequency band from 694 to 3800MHz. The units couple off a defined fraction of a RF signal from typically 3 to 30 dB with minimal reflections or loss. The broad frequency range is ideally suited for 3G / 4G / 5G multi-band distributed antenna systems or in combination with RADIAFLEX® radiating cables. Notably, these products feature a low level of network interferences due to their PIM optimized desing.

**FEATURES / BENEFITS**

- **Splits in ratio 3:1 / 5dB**
- **Minimized RF insertion loss**
- **PIM optimized desing**
- **Small size and weight**
- **716-female connectors**

**Technical features**

**STRUCTURE**

Product Type		Unequal Divider/Tapper
Techn. Application		Indoor
Number of Input Ports		1
Number of Output Ports		2

**ELECTRICAL SPECIFICATIONS**

Frequency Range	MHz	694 - 3800
Connector Type		716 female
Max. VSWR / Return Loss	VSWR/dB	1.40/15.5 (1.4)
Insertion Loss max.	dB	1.3
Coupling Value	dB	6.1
Coupling Flatness max.	dB	+1.0 / - 2.0
Intermodulation (IM3)		155 dBc at 2 x 20W
Impedance	Ohm	50
Input Power (Splitter mode) avg.	W	200

**TEMPERATURE SPECIFICATIONS**

Temperature Range	°C (°F)	-10 to +55 (14 to +131)
-------------------	---------	-------------------------

**MECHANICAL SPECIFICATIONS**

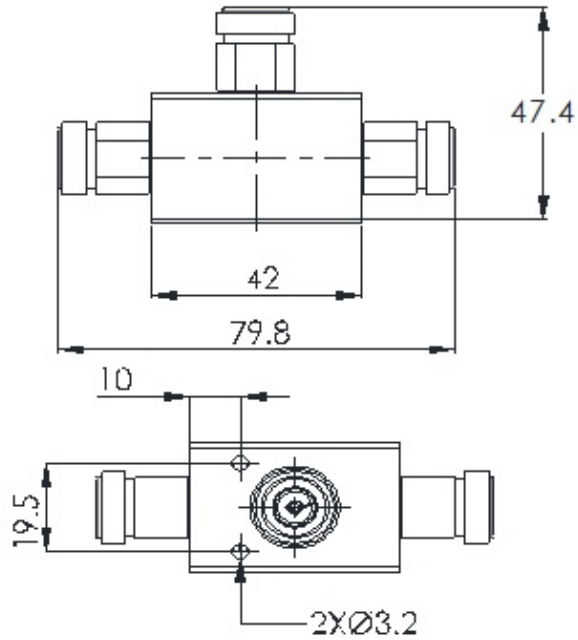
Height	mm (in)	42 (1.65)
Width	mm (in)	28.5 (1.12)
Length	mm (in)	28.5 (1.12)



TESTING AND ENVIRONMENTAL

Environmental Class

IP65



External Document Links

Notes