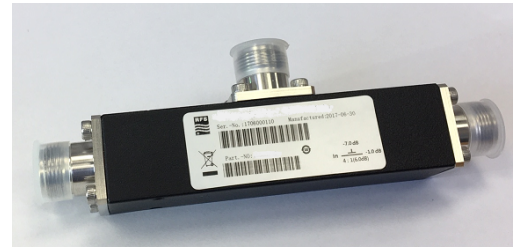




RFS Technologies TPS* Tapper product family has been designed to support a variety of wireless applications in the frequency band from 555 to 6000MHz. The units couple off a defined fraction of a RF signal from typically 3 to 30 dB with minimal reflections or loss. The broad frequency range is ideally suited for 3G / 4G / 5G multi-band distributed antenna systems or in combination with RADIAFLEX® radiating cables. Notably, these products feature a low level of network interferences due to their PIM optimized desing.

FEATURES / BENEFITS

- Split ratio 4:1 / 6dB
- 4.3-10-female interfaces
- PIM optimized design (160dBc @2x43dBm)
- Low insertion loss
- High power handling
- Small size, Low weight



TPS6-43-555/6000 (similar product illustration)

Technical features

STRUCTURE

Product Type		Unequal Divider/Tapper
Techn. Application		Indoor/Outdoor
Number of Input Ports		1
Number of Output Ports		2

ELECTRICAL SPECIFICATIONS

Frequency Range	MHz	555 - 6000
Connector Type		4.3-10 female
Max. VSWR / Return Loss	VSWR/dB	1.40/15.6 (1.4)
Insertion Loss max.	dB	1.3
Coupling Value	dB	7
Coupling Flatness max.	dB	+1.0 / -2.5
Intermodulation (IM3)		160dBc (2x43dBm)
Impedance	Ohm	50
Total Input Power	W	300

TEMPERATURE SPECIFICATIONS

Temperature Range	°C (°F)	-25 to +65 (-13 to +149)
-------------------	---------	--------------------------

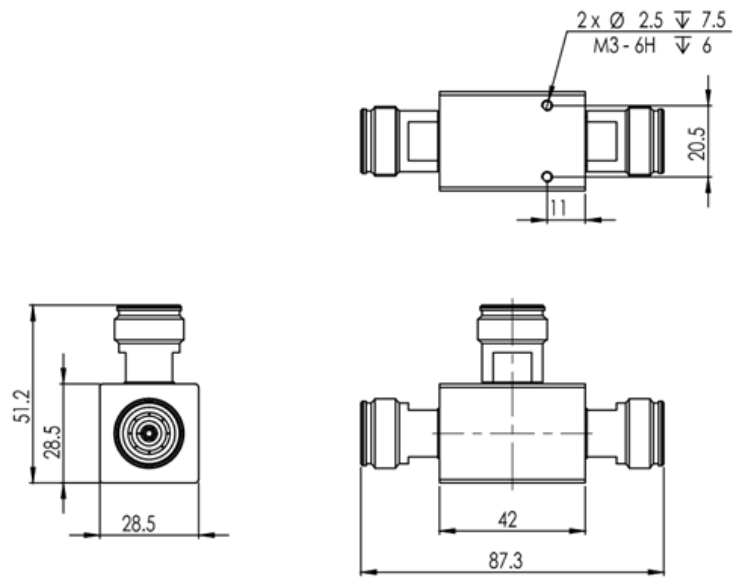
MECHANICAL SPECIFICATIONS

Height	mm (in)	51.2 (2.02)
Width	mm (in)	28.5 (1.12)
Length	mm (in)	87.3 (3.44)



TESTING AND ENVIRONMENTAL

Environmental Class		IP65
----------------------------	--	------



TPS6-43-555_6000_Drawing

External Document Links

[Link to VEX Zip file](#)

Notes