



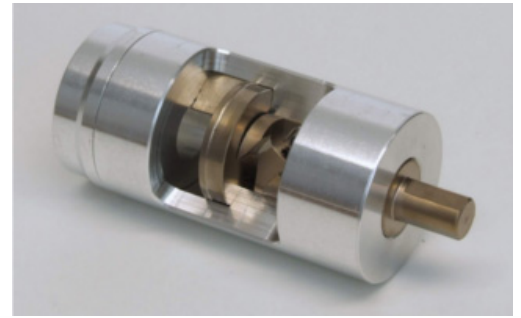
TRIM-SCF12-D01-A

Automated trimming tool, SCF12, OMNI FIT Premium, Trim Series D01

Special trimming tool makes the OMNI FIT Premium D01 connector attachment easier. No further tools are required to prepare the cable for the connector attachment. This is due to the unique design of the trimming tool, which combines all necessary functions in one compact tool. It can be used for CELLFLEX[®] SCF12-50 foam dielectric cables.

FEATURES / BENEFITS

- **Precision cable preparation tool**
Always exact and repeatable trimming dimensions
- **Intuitive use of tool**
Easy and precise preparation of cables for connector installation
- **Long-lasting cutting blades**
Low maintenance costs
- **Battery drill drive compatible**
Increased preparation speed



TRIM-SCF12-D01-A

Technical features

STRUCTURE

Product Line		Coaxial Cable Accessories
Product Type		Tool
Transmission Line Type		SCF12
Coaxial Cable Type		Foam Dielectric, Ultraflexible Foam Dielectric
Cable Size		1/2"
Type of Tool		Automated Cable Trimming Tool

ACCESSORIES

Spare Part / Useful Accessories		Spare blades, Main blade : TRIM-B27 Jacket blade : TRIM-B28
---------------------------------	--	--

MECHANICAL SPECIFICATIONS

Material		Aluminium
----------	--	-----------

PACKAGING INFORMATION

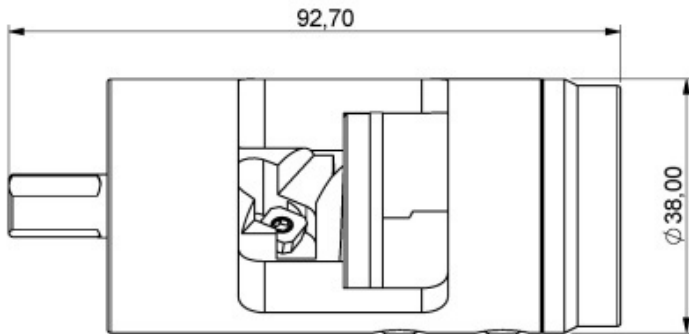
Package Quantity		1
Weight per piece	kg (lb)	0.25 (0.55)



PRODUCT DATASHEET

TRIM-SCF12-D01-A

Automated trimming tool, SCF12, OMNI FIT Premium, Trim Series D01



External Document Links

Notes